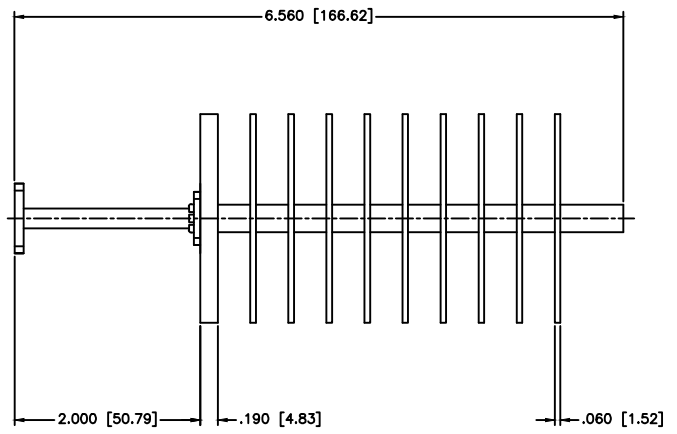
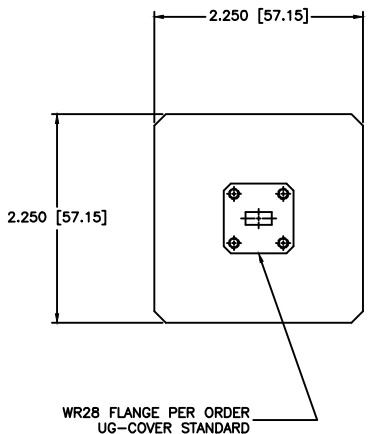


REVISIONS				
ZONE	REV	DESCRIPTION	DATE	APPROVED

F = FLANGE TYPES
 -6 = UG-COVER
 -7 = UG-CHOKE
 -S = SPECIAL



SPECIFICATIONS
 Frequency Range: 26.5-40 GHz
 Waveguide Size: WR28 (Input)
 Flange Types: Per Order (-6,-7,-S)
 VSWR: 1.15 Max.
 Average Power: 200 Watts

ORDERING INFORMATION
 EXAMPLE PART NUMBER: WL-15-F
 VERY HIGH POWER SERIES _____
 FREQUENCY BAND _____
 FLANGE TYPE _____

MATERIAL: ALUMINUM 6061		MICROWAVE COMMUNICATIONS LABORATORIES INC. 7225 30TH AVE. N. SAINT PETERSBURG, FL 33710 TEL: (727) 344-8254 FAX: (727) 381-8118 HTTP://WWW.MCLI.COM		SCALE: N/A	
DRAWING: Paiboon Luksamhan		DATE: 05-02-2011	UNLESS OTHERWISE SPECIFIED: TOLERANCES IN (INCHES) OR (mm) (MILLIMETERS) FRACTIONS: ± 1/64 DECIMALS: ±.01 ±.005 ANGLE: ±1/2°		DRAWING TITLE: TERMINATION, WR28 300 Watts
APPROVED: T. Nguyen		DATE: 05-02-2011	PART NO.: WL-18-F CAGE CODE: OD2L5 SIZE: C REV: N/A DO NOT SCALE THE DRAWING		SHEET: N/A DWG NO.: 85646