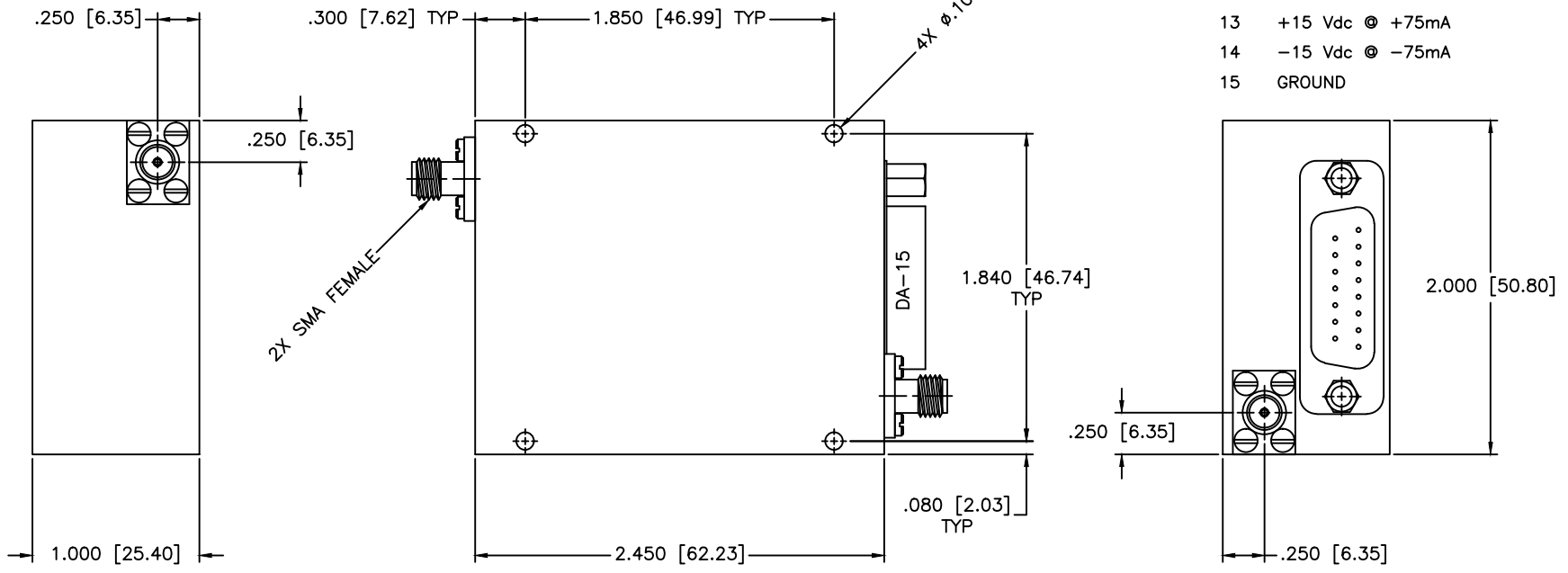


REVISIONS				
ZONE	REV	DESCRIPTION	DATE	APPROVED



POWER/LOGIC PIN-OUT

PIN	FUNCTIONS
1	GROUND
2	CONTROL INPUT
13	+15 Vdc @ +75mA
14	-15 Vdc @ -75mA
15	GROUND

SPECIFICATIONS

- Frequency Range: 4–12 GHz
- Insertion Loss: 3.5dB Max.
- Attenuation Range: 10dB, 20dB, 40dB, 60dB
- VSWR: 2.00:1 Max.
- Attenuation Flatness To:
 - 10±0.75dB Max.
 - 20±1.75dB Max.
 - 40±2.25dB Max.
 - 60±2.50dB Max.

MATERIAL:		MCLI MICROWAVE COMMUNICATIONS LABORATORIES INC. 7255 30TH AVE. N. SAINT PETERSBURG, FL 33710 TEL: (727) 344-6254 FAX: (727) 381-6116 http://WWW.MCLI.COM	SCALE:	N/A
			SHEET:	N/A
UNLESS OTHERWISE SPECIFIED: TOLERANCES IN (INCHES) OR [mm] (MILLIMETERS) FRACTIONS: ± XX DECIMALS: ±.009 ANGLE: ±1/2°		DRAWING TITLE: VOLTAGE CONTROLLED PIN DIODE ATTENUATOR		
DRAWN: Paiboon Luekhamhan		PART NO. VC-9		
DATE: 04-02-2002		CAGE CODE: OD2L5		
APPROVED: T. Nguyen		DATE: 04-08-2002		
THIRD ANGLE PROJECTION		SIZE: A		
		REV: N/A		
		DWG NO. 81928		
		DO NOT SCALE THE DRAWING		