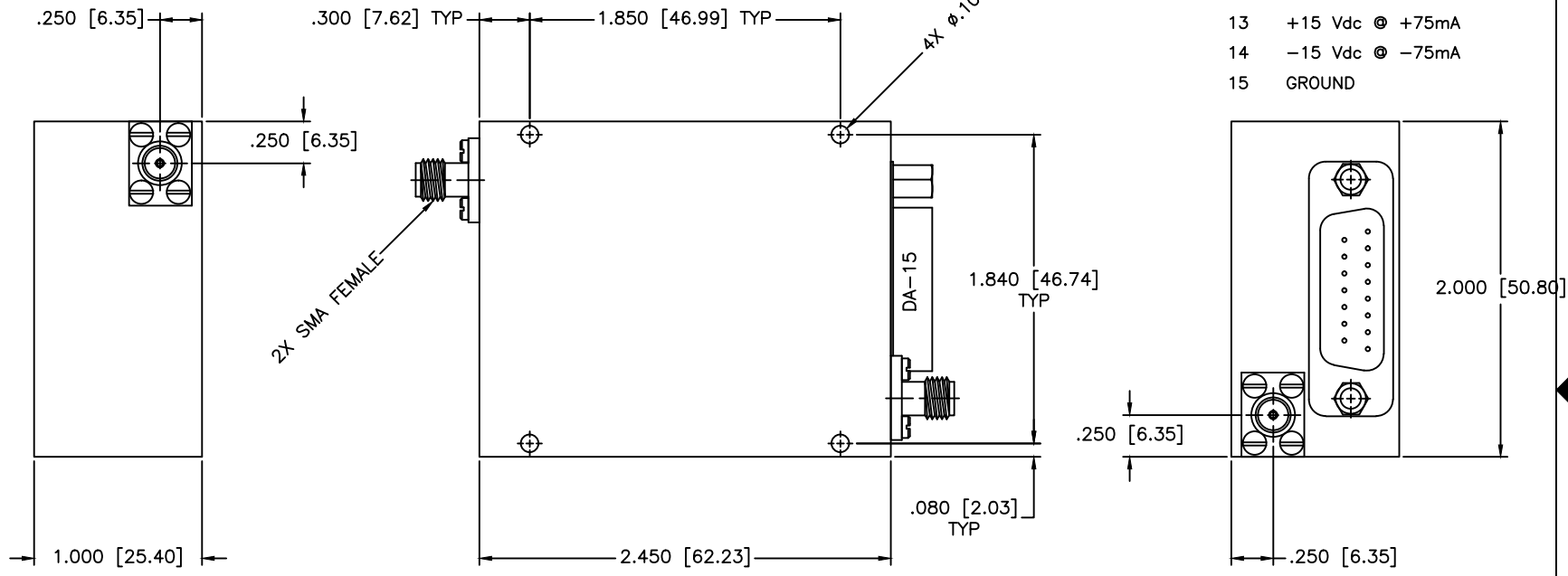


REVISIONS				
ZONE	REV	DESCRIPTION	DATE	APPROVED



POWER/LOGIC PIN-OUT

PIN	FUNCTIONS
1	GROUND
2	CONTROL INPUT
13	+15 Vdc @ +75mA
14	-15 Vdc @ -75mA
15	GROUND

SPECIFICATIONS

Frequency Range: 1–2 GHz
 Insertion Loss: 1.8dB Max.
 Attenuation Range: 10dB, 20dB, 40dB, 60dB
 VSWR: 1.50:1 Max.
 Attenuation Flatness To:
 10±0.4dB Max.
 20±1.7dB Max.
 40±1.7dB Max.
 60±2.0dB Max.

MATERIAL:		MICROWAVE COMMUNICATIONS LABORATORIES INC. 7255 30TH AVE. N. SAINT PETERSBURG, FL 33710 TEL: (727) 344-6254 FAX: (727) 381-6116 http://WWW.MCLI.COM		SCALE:	N/A
UNLESS OTHERWISE SPECIFIED: TOLERANCES IN (INCHES) OR [mm] (MILLIMETERS) FRACTIONS: ± XX DECIMALS: ±.009 ANGLE: ±1/2°		DRAWING TITLE: VOLTAGE CONTROLLED PIN DIODE ATTENUATOR		SHEET:	N/A
DRAWN: Paiboon Luexhamhan	DATE: 04-02-2002	PART NO. VC-2		CAGE CODE: OD2L5	
APPROVED: T. Nguyen	DATE: 04-08-2002	SIZE: A	REV: N/A	DWG NO. 81927	
THIRD ANGLE PROJECTION		DO NOT SCALE THE DRAWING			