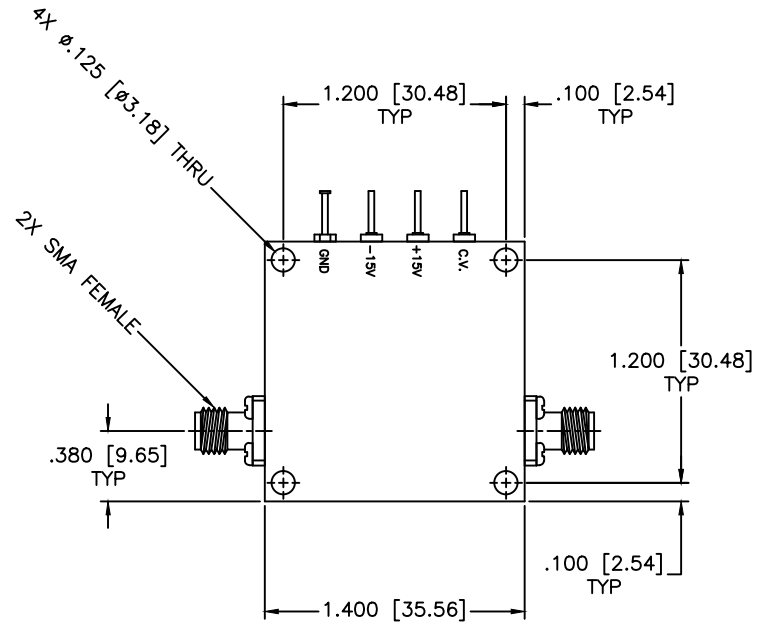
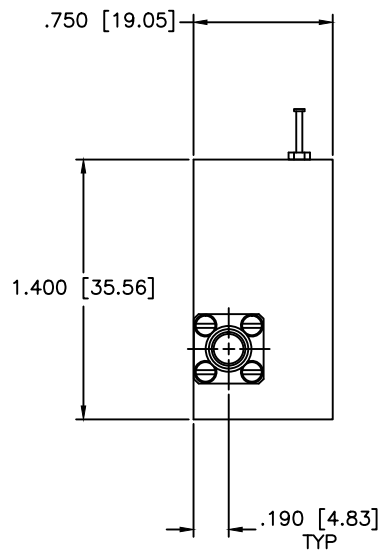


Voltage Controlled: 0 Volts = insertion Loss (zero attenuation) to +10 Volts = Maximum attenuation. Linearized models upon request.  
 High Speed Switching: Attenuators listed are measured from any set value to any value. Switching speeds to 300nSec are available upon request  
 Low DC Power Consumption: Attenuators require  $\pm 15\text{VDC}$ ,  $\pm 1\%$  @  $\pm 50\text{mA}$   
 Stable Attenuation: Variation vs Temperature from  $-55^\circ\text{C}$  to  $+85^\circ\text{C}$  typically  $\pm 10\%$  of the set value. Linearized models upon request.



REVISIONS				
ZONE	REV	DESCRIPTION	DATE	APPROVED

**SPECIFICATIONS**

- Frequency Range: 18–26 GHz
- Attenuation: 32dB
- Flatness & accuracy Vs Frequency:  $\pm 2.25\text{dB}$
- Insertion Loss: 3.0 dB
- VSWR: 2.00:1 Max.
- Switching Speed: 1.0uSec Max. (35dBc/+15dBm)

MATERIAL:			MICROWAVE COMMUNICATIONS LABORATORIES INC. 7255 30TH AVE. N. SAINT PETERSBURG, FL 33710 TEL: (727) 344-6254 FAX: (727) 381-6116 http://WWW.MCLI.COM		SCALE:	N/A
			UNLESS OTHERWISE SPECIFIED: TOLERANCES IN (INCHES) OR [mm] (MILLIMETERS) FRACTIONS: $\pm 1/64$ DECIMALS: $\pm 0.01 \pm 0.05$ ANGLE: $\pm 1/2^\circ$		SHEET:	N/A
DRAWN:		DRAWING TITLE:		PART NO.		
Paiboon Luekhamhan		VOLTAGE CONTROLLED ATTENUATOR		VC-16-32		
DATE:		PROPRIETARY NOTICE:		CAGE CODE:		
01-28-2009		THE INFORMATION IN THIS DRAWING IS PROPRIETARY AND SHALL NOT BE USED OR DISCLOSED WITHOUT WRITTEN PERMISSION FROM MICROWAVE COMMUNICATIONS LABORATORIES INC. (MCLI)		OD2L5		
APPROVED:		THIRD ANGLE PROJECTION		SIZE:	REV:	DWG NO.
T. Nguyen				A	N/A	84070
				DO NOT SCALE THE DRAWING		