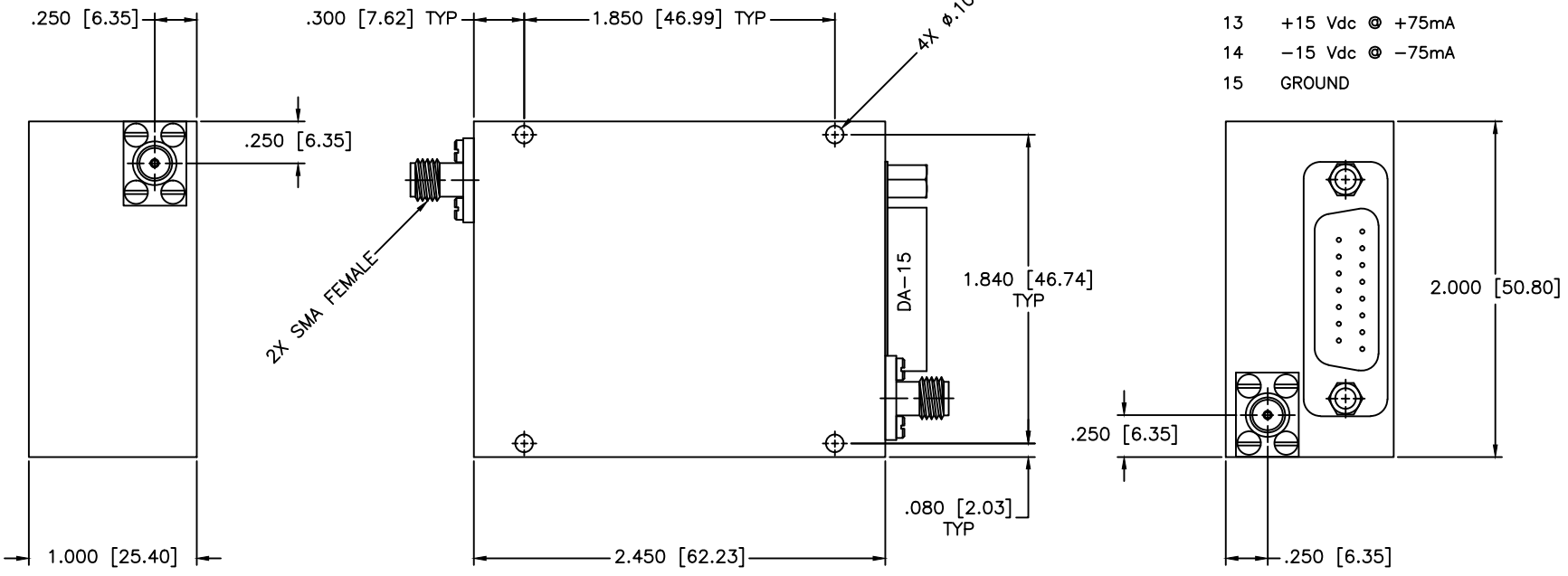


REVISIONS				
ZONE	REV	DESCRIPTION	DATE	APPROVED



POWER/LOGIC PIN-OUT

PIN	FUNCTIONS
1	GROUND
2	CONTROL INPUT
13	+15 Vdc @ +75mA
14	-15 Vdc @ -75mA
15	GROUND

SPECIFICATIONS

Frequency Range: 5–10 GHz
 Insertion Loss: 2.8dB Max.
 Attenuation Range: 10dB, 20dB, 40dB, 60dB
 VSWR: 1.70:1 Max.
 Attenuation Flatness To:
 10±0.5dB Max.
 20±1.0dB Max.
 40±1.7dB Max.
 60±2.0dB Max.

MATERIAL:		MCLI MICROWAVE COMMUNICATIONS LABORATORIES INC. 7255 30TH AVE. N. SAINT PETERSBURG, FL 33710 TEL: (727) 344-6254 FAX: (727) 381-6116 http://WWW.MCLI.COM	SCALE:	N/A
UNLESS OTHERWISE SPECIFIED: TOLERANCES IN (INCHES) OR [mm] (MILLIMETERS) FRACTIONS: ± XX DECIMALS: ±.015 ANGLE: ±1/2°			DRAWING TITLE:	VOLTAGE CONTROLLED PIN DIODE ATTENUATOR
DRAWN:	DATE:	<small>PROPRIETARY NOTICE: THE INFORMATION IN THIS DRAWING IS PROPRIETARY AND SHALL NOT BE USED OR DISCLOSED WITHOUT WRITTEN PERMISSION FROM MICROWAVE COMMUNICATIONS LABORATORIES INC. (MCLI)</small>	PART NO.:	VC-10
APPROVED:	DATE:		CAGE CODE:	SIZE:
Paiboon Luekhamhan		04-08-2002		OD2L5
T. Nguyen		04-08-2002		A
				N/A
				DWG NO.
				81928
				DO NOT SCALE THE DRAWING