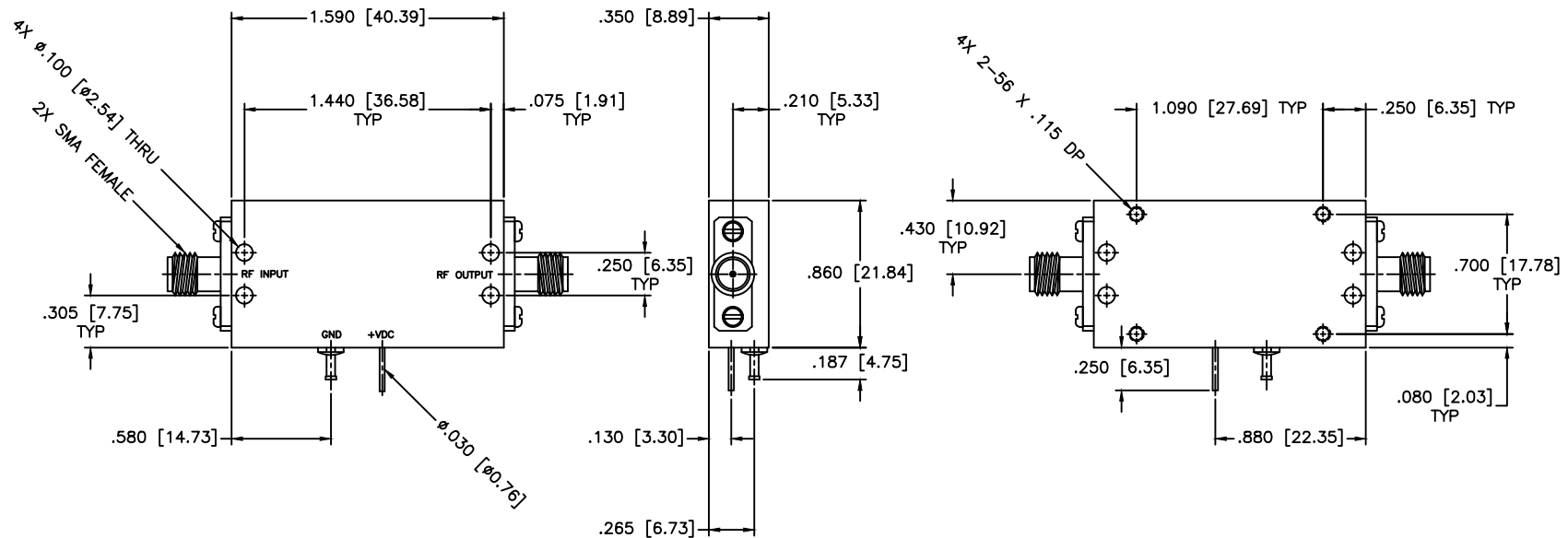


REVISIONS				
ZONE	REV	DESCRIPTION	DATE	APPROVED



MATERIAL:	
/	
DRAWN: Paiboon Luekhamhan	DATE: 5-10-2011
APPROVED: T. Nguyen	DATE: 5-10-2011

**MCLI** MICROWAVE COMMUNICATIONS LABORATORIES INC.  
 7255 30TH AVE. N. SAINT PETERSBURG, FL 33710  
 TEL: (727) 344-6254 FAX: (727) 381-6116  
 http://WWW.MCLI.COM

SHEET:	N/A
SHEET:	N/A

UNLESS OTHERWISE SPECIFIED:  
 TOLERANCES  
 IN (INCHES) OR [mm] (MILLIMETERS)  
 FRACTIONS: ± 1/64  
 DECIMALS: ±.01 ±.005  
 ANGLE: ±1/2°

DRAWING TITLE:  
 ULTRA LOW NOISE AMPLIFIER

PART NO.  
 UA-SERIES

PROPRIETARY NOTICE:  
 THE INFORMATION IN THIS DRAWING IS PROPRIETARY  
 AND SHALL NOT BE USED OR DISCLOSED WITHOUT WRITTEN  
 PERMISSION FROM MICROWAVE COMMUNICATIONS  
 LABORATORIES INC. (MCLI)  
 THIRD ANGLE PROJECTION

CAGE CODE: OD2L5	SIZE: A	REV: N/A	DWG NO. 85668
DO NOT SCALE THE DRAWING			

