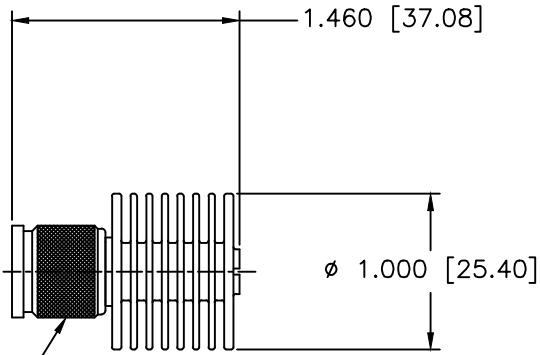


REVISIONS				
ZONE	REV	DESCRIPTION	Date	APPROVED



TYPE TNC MALE

SPECIFICATIONS

FREQUENCY RANGE DC-18 GHz  
 VSWR Maximum: 1.35:1  
 IMPEDANCE 50 Ohms  
 INPUT POWER 10 Watts Average  
 Derated to 10% @125°C from 25°C  
 PEAK POWER 500 Watts Max.  
 5uSec Pulse, 1% duty cycle

MECHANICAL

TYPE TNC MALE CONNECTOR: PASSIVATED STAINLESS STEEL  
 CENTER CONDUCTOR: GOLD PLATED BERYLLIUM COPPER  
 HEAT SINK: BLACK ANODIZED ALUMINUM

MATERIAL:		MICROWAVE COMMUNICATIONS LABORATORIES INC. 7255 30TH AVE. N. SAINT PETERSBURG, FL 33710 TEL: (727) 544-6254 FAX: (727) 381-6116 http://WWW.MCLI.COM	SCALE: N/A
			SHEET: N/A
		UNLESS OTHERWISE SPECIFIED: TOLERANCES IN (INCHES) OR [mm] (MILLIMETERS) FRACTIONS: ± 1/32 DECIMALS: ± .010 ANGLE: ± 1/2°	DRAWING TITLE: <b>10 WATTS TERMINATION</b>
		<small>PROPRIETARY NOTICE:          THE INFORMATION IN THIS DRAWING IS PROPRIETARY          AND SHALL NOT BE USED OR DISCLOSED WITHOUT WRITTEN          PERMISSION FROM MICROWAVE COMMUNICATIONS          LABORATORIES INC. (MCLI)</small>	PART NO.: <b>TTM-3</b>
DRAWN: Paiboon Luengkhamhan	DATE: 10-26-2009	<small>THIRD ANGLE PROJECTION</small> 	CAGE CODE: OD2L5
APPROVED: T. Nguyen	DATE: 10-26-2009		SIZE: N/A REV: A DWG. NO.: 84613
			DO NOT SCALE THE DRAWING