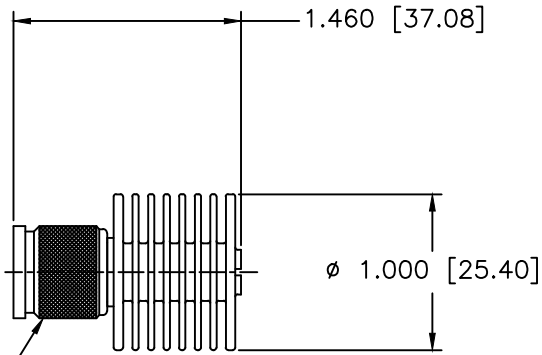


REVISIONS				
ZONE	REV	DESCRIPTION	Date	APPROVED



TYPE TNC MALE

SPECIFICATIONS

FREQUENCY RANGE: DC-18 GHz  
 VSWR: 1.35:1 MAX.  
 IMPEDANCE: 50 Ohms  
 INPUT POWER: 5 Watts Average  
 Derated to 10% @125°C from 25°C  
 PEAK POWER: 500 Watts Max.  
 5uSec Pulse, 1% duty cycle

MECHANICAL

TYPE TNC MALE CONNECTOR: PASSIVATED STAINLESS STEEL  
 CENTER CONDUCTOR: GOLD PLATED BERYLLIUM COPPER  
 HEAT SINK: BLACK ANODIZED ALUMINUM

MATERIAL:		MICROWAVE COMMUNICATIONS LABORATORIES INC. 7255 30TH AVE. N. SAINT PETERSBURG, FL 33710 TEL: (727) 344-6254 FAX: (727) 381-6116 http://WWW.MCLI.COM	SCALE:	N/A
			SHEET:	N/A
DRAWN:		UNLESS OTHERWISE SPECIFIED: TOLERANCES IN (INCHES) OR [mm] (MILLIMETERS) FRACTIONS: ± 1/32 DECIMALS: ± .010 ANGLE: ± 1/2°	DRAWING TITLE:	
DATE:			5 WATTS TERMINATION	
Paiboon Luekhamhan		PART NO.		
DATE:		TTM-2		
10-19-2011		CAGE CODE:		
APPROVED:		SIZE: N/A		
T. Nguyen		REV: A		
DATE:		DWG. NO.		
10-19-2011		80775		
THIRD ANGLE PROJECTION		DO NOT SCALE THE DRAWING		

