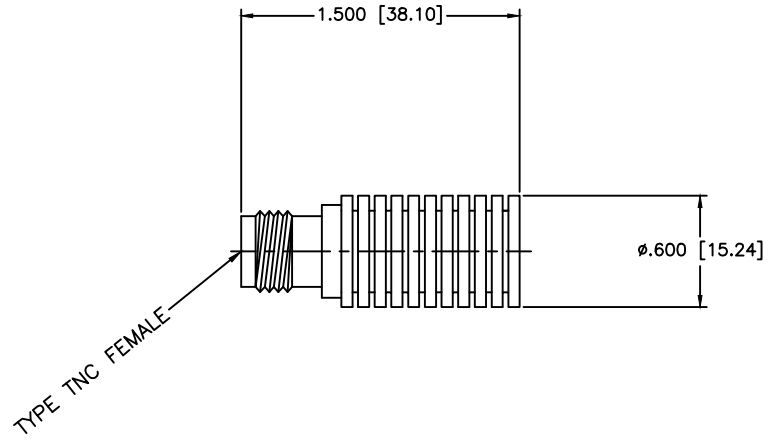


REVISIONS				
ZONE	REV	DESCRIPTION	DATE	APPROVED

- NOTES:
- A) 2.45 IN. FOR 10 WATTS CW  
4.07 IN. FOR 25 WATTS CW
  - B) 0.75 IN. FOR 10 WATTS CW.  
1.25 IN. FOR 25 WATTS CW



MATERIAL:			MICROWAVE COMMUNICATIONS LABORATORIES INC. 7255 30TH AVE. N. SAINT PETERSBURG, FL 33710 TEL: (727) 344-6254 FAX: (727) 381-6116 http://WWW.MCLI.COM		SCALE:	N/A
			UNLESS OTHERWISE SPECIFIED: TOLERANCES IN (INCHES) OR [mm] (MILLIMETERS) FRACTIONS: $\pm 1/64$ DECIMALS: $\pm 0.01 \pm 0.005$ ANGLE: $\pm 1/2^\circ$		DRAWING TITLE:	COAXIAL TERMINATION
DRAWN:	DATE:	PROPRIETARY NOTICE: THE INFORMATION IN THIS DRAWING IS PROPRIETARY AND SHALL NOT BE USED OR DISCLOSED WITHOUT WRITTEN PERMISSION FROM MICROWAVE COMMUNICATIONS LABORATORIES INC. (MCLI)	PART NO.		TTF - 1	
APPROVED:	DATE:		CAGE CODE:	SIZE:	REV:	DWG NO.
Paiboon Luekhamhan	12-07-1997		A	N/A	80776	
T. Nguyen	12-07-1997		OD2L5	DO NOT SCALE THE DRAWING		