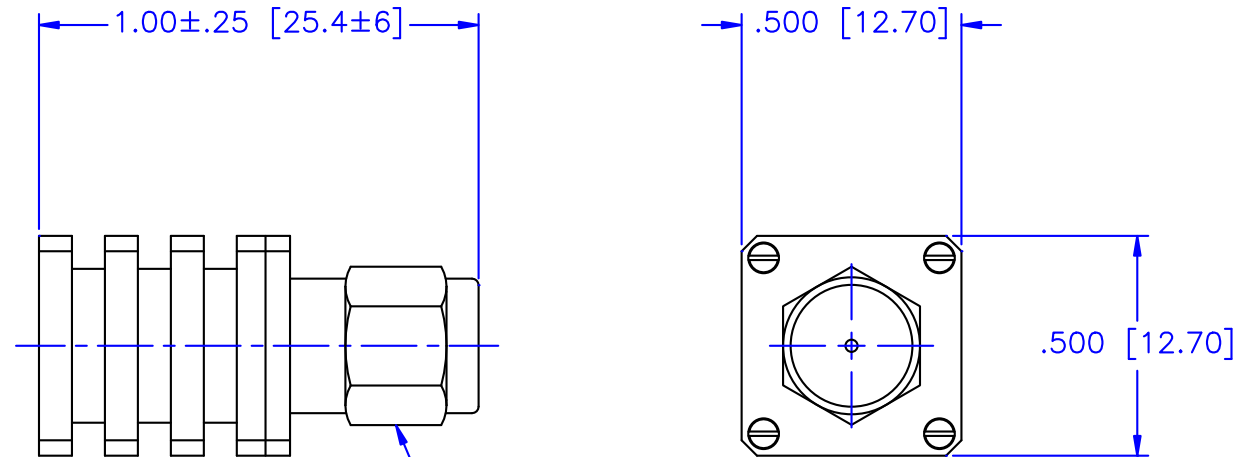


MODEL NUMBER	FREQUENCY RANGE (GHz)	VSWR MAX.	POWER HANDLING
TSM-5	DC-8	1.20:1	5 WATTS
TSM-6	DC-12	1.25:1	5 WATTS
TSM-7	DC-18	1.30:1	5 WATTS

REVISIONS				
ZONE	REV	DESCRIPTION	Date	APPROVED



SPECIFICATIONS

FREQUENCY RANGE: DC-18GHz  
 VSWR MAXIMUM: 1.20:1  
 INPUT POWER: 5 WATTS AVG  
 IMPEDANCE: 50 OHMS  
 OPERATING TEMPERATURE RANGE: -45°C to +85°C  
 FINISHING: GOLD PLATED

SMA MALE

MATERIAL:		<b>MCLI</b> MICROWAVE COMMUNICATIONS LABORATORIES INC. 7255 30TH AVE. N. SAINT PETERSBURG, FL 33710 TEL: (727) 344-6254 FAX: (727) 381-6116 <a href="http://WWW.MCLI.COM">http://WWW.MCLI.COM</a>	SCALE:	N/A
			SHEET:	N/A
UNLESS OTHERWISE SPECIFIED: TOLERANCES IN (INCHES) OR [mm] (MILLIMETERS) FRACTIONS: ± 1/64 DECIMALS: ±.01 ±.005 ANGLE: ±1/2°		DRAWING TITLE:	5 WATTS SMA MALE TERMINATION	
DRAWN: Paiboon Luekhamhan		DATE: 10-05-1999	PART NO. TSM-5,-6,-7	
APPROVED: T. Nguyen		DATE: 10-05-1999	CAGE CODE: 0D2L5	SIZE: N/A
PROPRIETARY NOTICE: THE INFORMATION IN THIS DRAWING IS PROPRIETARY AND SHALL NOT BE USED OR DISCLOSED WITHOUT WRITTEN PERMISSION FROM MICROWAVE COMMUNICATIONS LABORATORIES INC. (MCLI) THIRD ANGLE PROJECTION		REV: N/A	DWG NO. 81467	DO NOT SCALE THE DRAWING