

SPECIFICATIONS

FREQUENCY RANGE: DC-40 GHz

VSWR MAXIMUM: 1.25:1

INPUT POWER: 1 Watt @ 25°C
derates linearly to 10% @ +125°C

IMPEDANCE: 50 OHMS

OPERATING TEMPERATURE RANGE: -65°C to +125°C

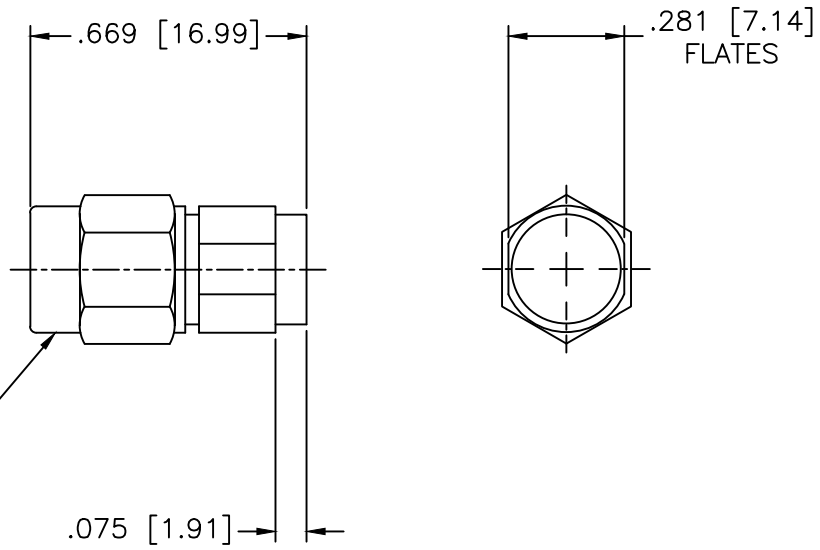
MECHANICAL

HOUSING: PASSIVATED STAINLESS STEEL

CONTACT: GOLD PLATE BERYLLIUM COPPER

DIELECTRIC: HIGH TEMPERATURE PLASTIC BEAD

REVISIONS				
ZONE	REV	DESCRIPTION	Date	APPROVED



TYPE 2.92MM MALE

MATERIAL:			MICROWAVE COMMUNICATIONS LABORATORIES INC. 7255 30TH AVE. N. SAINT PETERSBURG, FL 33710 TEL: (727) 344-6254 FAX: (727) 381-6116 http://WWW.MCLI.COM		SCALE: N/A
UNLESS OTHERWISE SPECIFIED: TOLERANCES IN (INCHES) OR [mm] (MILLIMETERS) FRACTIONS: ± 1/64 DECIMALS: ±.01 ±.005 ANGLE: ±1/2°			DRAWING TITLE: 1 WATT 2.92MM MALE TERMINATION		SHEET: N/A
DRAWN: Paiboon Luekhamhan	DATE: 03-29-2010	PROPRIETARY NOTICE: THE INFORMATION IN THIS DRAWING IS PROPRIETARY AND SHALL NOT BE USED OR DISCLOSED WITHOUT WRITTEN PERMISSION FROM MICROWAVE COMMUNICATIONS LABORATORIES INC. (MCLI)		PART NO. TSM-40-1	
APPROVED: T. Nguyen	DATE: 03-29-2010	THIRD ANGLE PROJECTION 	CAGE CODE: OD2L5	SIZE: N/A	REV: N/A
			DO NOT SCALE THE DRAWING		DWG NO. 84743