

SPECIFICATIONS

FREQUENCY RANGE: DC-18 GHz

VSWR: 1.25:1 MAX.

INPUT POWER: 2 WATTS (1kW PEAK)

IMPEDANCE: 50 OHMS

OPERATING TEMPERATURE: -55°C to +150°C

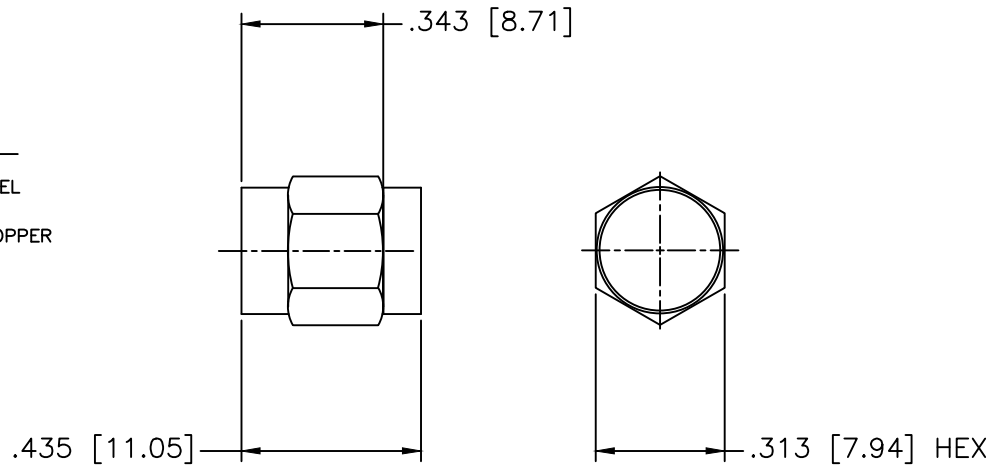
MECHANICAL

CONNECTOR BODY: PASSIVATED STAINLESS STEEL

CONTACT PROBE: GOLD PLATE BERYLLIUM COPPER

TYPE: SMA MALE

| REVISIONS | | | | |
|-----------|-----|-------------|------|----------|
| ZONE | REV | DESCRIPTION | Date | APPROVED |
| | | | | |



| | | | | |
|---|--|--|--------|-----|
| MATERIAL: | | MCLI MICROWAVE COMMUNICATIONS LABORATORIES INC. 7255 30TH AVE. N. SAINT PETERSBURG, FL 33710 TEL: (727) 344-6254 FAX: (727) 381-6116 http://WWW.MCLI.COM | SCALE: | N/A |
| | | | SHEET: | N/A |
| UNLESS OTHERWISE SPECIFIED: TOLERANCES IN (INCHES) OR [mm] (MILLIMETERS) FRACTIONS: ± 1/64 DECIMALS: ±.01 ±.005 ANGLE: ±1/2° | | DRAWING TITLE: SMA MALE TERMINATION | | |
| DRAWN: Paiboon Luekhamhan | | PART NO.: TSM-2 | | |
| DATE: 08-27-2007 | | CAGE CODE: OD2L5 | | |
| APPROVED: T. Nguyen | | SIZE: N/A | | |
| DATE: 08-27-2007 | | REV: A | | |
| THIRD ANGLE PROJECTION | | DWG NO.: 80769 | | |
| | | DO NOT SCALE THE DRAWING | | |