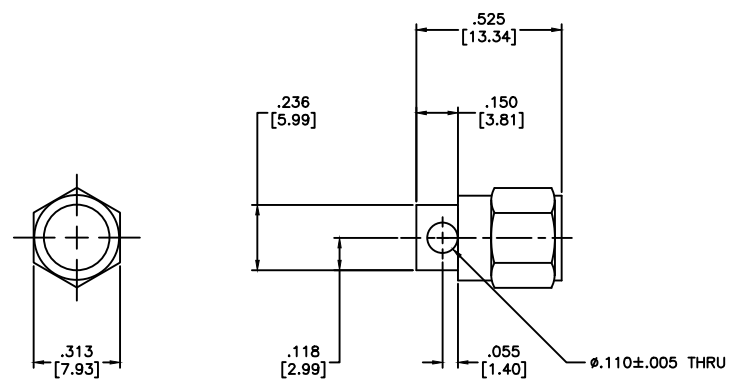


REVISIONS				
ZONE	REV	DESCRIPTION	DATE	APPROVED

FREQUENCY RANGE	VSWR	POWER	PEAK POWER
DC-12 GHz	1.15:1	1 WATT	1 KW



MATERIAL:			MICROWAVE COMMUNICATIONS LABORATORIES INC. 7255 30TH AVE. N. SAINT PETERSBURG, FL 33710 TEL: (727) 344-6254 FAX: (727) 381-6116 http://WWW.MCLI.COM		SCALE:	N/A	
			UNLESS OTHERWISE SPECIFIED: TOLERANCES IN (INCHES) OR [mm] (MILLIMETERS) FRACTIONS: ± 1/64 DECIMALS: ±.01 ±.005 ANGLE: ±1/2°	DRAWING TITLE:		SHEET:	N/A
DRAWN:		DATE:		PART NO.			TSM-1X1
Paiboon Luekhamhan		01-16-2001		TSM-1X1			
APPROVED:		DATE:		CAGE CODE:	SIZE:	REV:	DWG NO.
T. Nguyen		01-16-2001		OD2L5	N/A	N/A	81580
		PROPRIETARY NOTICE: THE INFORMATION IN THIS DRAWING IS PROPRIETARY AND SHALL NOT BE USED OR DISCLOSED WITHOUT WRITTEN PERMISSION FROM MICROWAVE COMMUNICATIONS LABORATORIES INC. (MCLI)		DO NOT SCALE THE DRAWING			
		THIRD ANGLE PROJECTION					