

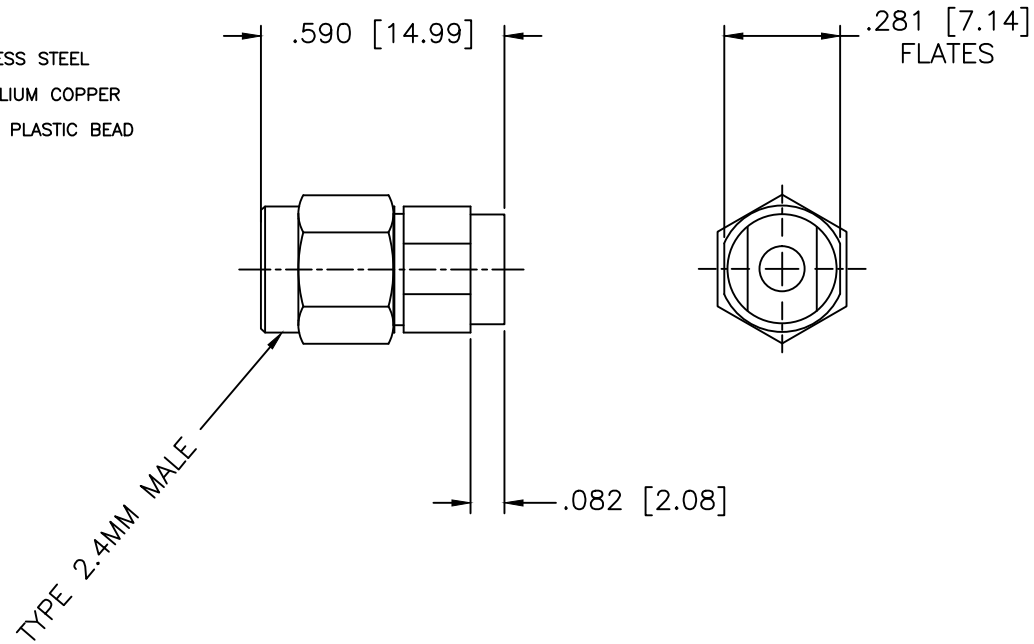
SPECIFICATIONS

FREQUENCY RANGE: DC-50 GHz
 VSWR: 1.45:1 MAX.
 INPUT POWER: 1 Watt @ 25°C (derates linearly to 10% @ +125°C)
 IMPEDANCE: 50 OHMS
 OPERATING TEMP. RANGE: -55°C to +100°C

MECHANICAL:

HOUSING: PASSIVATED STAINLESS STEEL
 CONTACT: GOLD PLATE BERYLLIUM COPPER
 DIELECTRIC: HIGH TEMPERATURE PLASTIC BEAD

REVISIONS				
ZONE	REV	DESCRIPTION	Date	APPROVED



MATERIAL:			MICROWAVE COMMUNICATIONS LABORATORIES INC. 7255 30TH AVE. N. SAINT PETERSBURG, FL 33710 TEL: (727) 344-6254 FAX: (727) 381-6116 http://WWW.MCLI.COM		SCALE: N/A
UNLESS OTHERWISE SPECIFIED: TOLERANCES IN (INCHES) OR (mm) (MILLIMETERS) FRACTIONS: ± 1/64 DECIMALS: ±.02 ±.015 ANGLE: ±1/2°			DRAWING TITLE: 1 WATT 2.4mm MALE TERMINATION		SHEET: N/A
DRAWN: Paiboon Luekhamhan	DATE: 08-08-2011	PROPRIETARY NOTICE: THE INFORMATION IN THIS DRAWING IS PROPRIETARY AND SHALL NOT BE USED OR DISCLOSED WITHOUT WRITTEN PERMISSION FROM MICROWAVE COMMUNICATIONS LABORATORIES INC. (MCLI)		PART NO. TSM-18	
APPROVED: T. Nguyen	DATE: 08-8-2011	THIRD ANGLE PROJECTION 	CAGE CODE: OD2L5	SIZE: N/A	REV: N/A
			DO NOT SCALE THE DRAWING		DWG NO. 85817