

SPECIFICATIONS

FREQUENCY RANGE: DC-26.5 GHz

VSWR: 1.20:1 MAX.

INPUT POWER: 1 WATT AVG @ 25°C

IMPEDANCE: 50 OHMS

OPERATING TEMPERATURE: -45°C to +85°C

RF LEAKAGES: 90dB MIN.

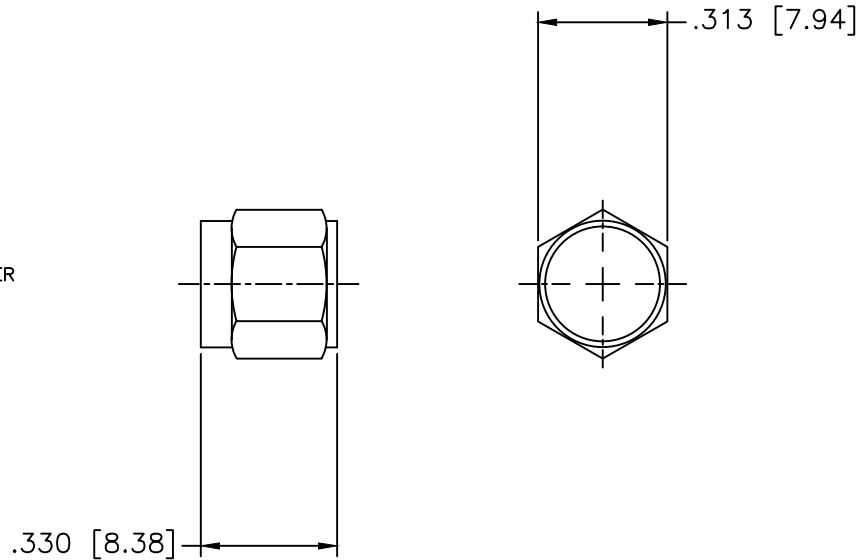
MECHANICAL

CONNECTOR BODY: PASSIVATED STAINLESS STEEL

CONTACT PROBE: GOLD PLATE BERYLLIUM COPPER

TYPE: SMA MALE

REVISIONS				
ZONE	REV	DESCRIPTION	Date	APPROVED



MATERIAL:		<b>MCLI</b> MICROWAVE COMMUNICATIONS LABORATORIES INC. 7255 30TH AVE. N. SAINT PETERSBURG, FL 33710 TEL: (727) 344-6254 FAX: (727) 381-6116 http://WWW.MCLI.COM	SCALE: N/A
			SHEET: N/A
UNLESS OTHERWISE SPECIFIED: TOLERANCES IN (INCHES) OR [mm] (MILLIMETERS) FRACTIONS: ± 1/64 DECIMALS: ±.01 ±.005 ANGLE: ±1/2°		DRAWING TITLE: <b>SMA MALE TERMINATION</b>	
PROPRIETARY NOTICE: THE INFORMATION IN THIS DRAWING IS PROPRIETARY AND SHALL NOT BE USED OR DISCLOSED WITHOUT WRITTEN PERMISSION FROM MICROWAVE COMMUNICATIONS LABORATORIES INC. (MCLI)		PART NO. <b>TSM-11</b>	
DRAWN: Paiboon Luekhamhan	DATE: 03-20-2009	CAGE CODE: OD2L5	SIZE: N/A
APPROVED: T. Nguyen	DATE: 03-20-2009	REV: N/A	DWG NO. 84338
THIRD ANGLE PROJECTION		DO NOT SCALE THE DRAWING	