

REVISIONS				
ZONE	REV	DESCRIPTION	Date	APPROVED

SPECIFICATIONS

FREQUENCY RANGE: DC-18 GHz

VSWR: 1.20:1 MAX.

POWER: 1W Average, 1KW Peak

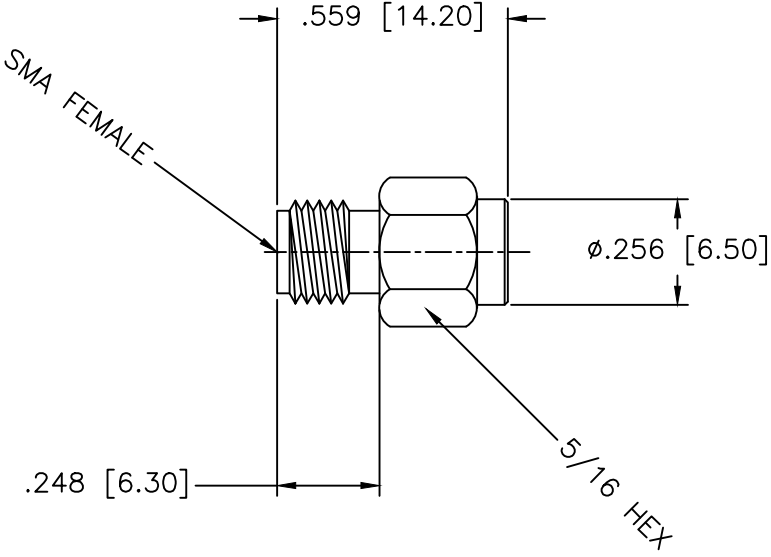
IMPEDANCE: 50 OHMS

OPERATING TEMP. RANGE: -55°C to +125°C

MECHANICAL

HOUSING: PASSIVATED STAINLESS STEEL

CONTACT: GOLD PLATED COPPER



MATERIAL:	
DRAWN: Paiboon Luekhamhan	DATE: 01-04-2012
APPROVED: T. Nguyen	DATE: 01-04-2012

MCLI MICROWAVE COMMUNICATIONS LABORATORIES INC. 7255 30TH AVE. N. SAINT PETERSBURG, FL 33710 TEL: (727) 344-6254 FAX: (727) 381-6116 http://WWW.MCLI.COM	SCALE:	N/A
	SHEET:	N/A
UNLESS OTHERWISE SPECIFIED: TOLERANCES IN (INCHES) OR [mm] (MILLIMETERS) FRACTIONS: ± 1/64 DECIMALS: ±.02 ±.015 ANGLE: ±1/2°	DRAWING TITLE: 1 WATT SMA FEMALE TERMINATION	
PROPRIETARY NOTICE: THE INFORMATION IN THIS DRAWING IS PROPRIETARY AND SHALL NOT BE USED OR DISCLOSED WITHOUT WRITTEN PERMISSION FROM MICROWAVE COMMUNICATIONS LABORATORIES INC. (MCLI)	PART NO.: TSF-2	
THIRD ANGLE PROJECTION 	CAGE CODE:	DWG NO.
OD2L5	SIZE: N/A REV: N/A DO NOT SCALE THE DRAWING	85961