

SPECIFICATIONS

FREQUENCY RANGE: DC-50 GHz

VSWR: 1.45:1 MAX.

INPUT POWER: 1 Watt @ 25°C (derates linearly to 10% @ +125°C)

IMPEDANCE: 50 OHMS

OPERATING TEMP. RANGE: -55°C to +100°C

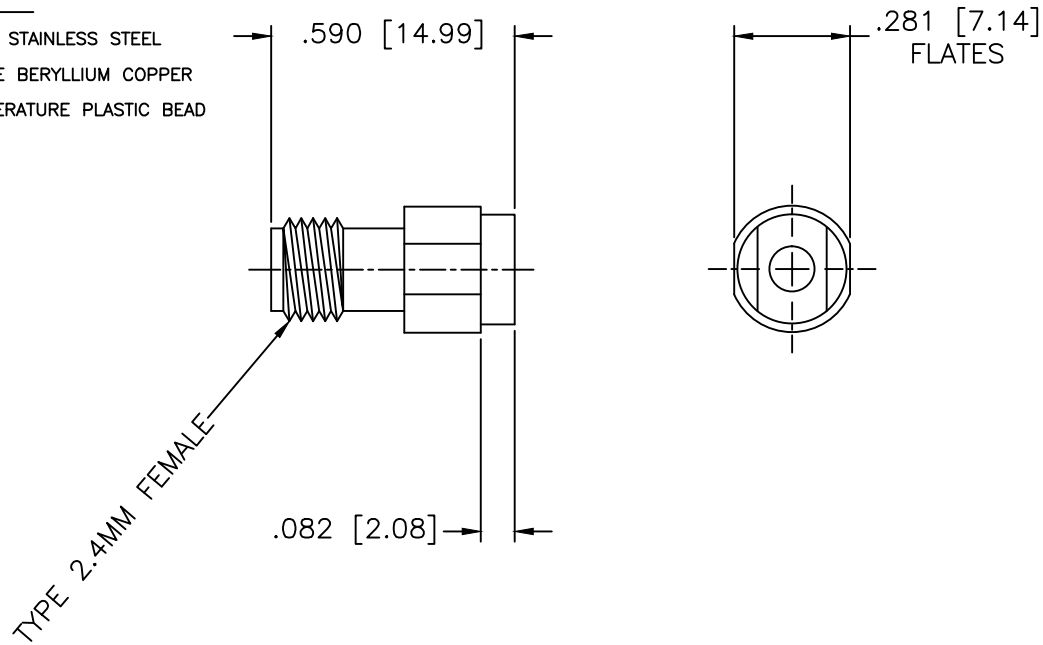
MECHANICAL

HOUSING: PASSIVATED STAINLESS STEEL

CONTACT: GOLD PLATE BERYLLIUM COPPER

DIELECTRIC: HIGH TEMPERATURE PLASTIC BEAD

REVISIONS				
ZONE	REV	DESCRIPTION	Date	APPROVED



MATERIAL:		MICROWAVE COMMUNICATIONS LABORATORIES INC. 7255 30TH AVE. N. SAINT PETERSBURG, FL 33710 TEL: (727) 344-6254 FAX: (727) 381-6116 http://WWW.MCLI.COM	SCALE: N/A
			SHEET: N/A
UNLESS OTHERWISE SPECIFIED: TOLERANCES IN (INCHES) OR [mm] (MILLIMETERS) FRACTIONS: ± 1/64 DECIMALS: ±.02 ±.015 ANGLE: ±1/2°		DRAWING TITLE: 1 WATT 2.4mm FEMALE TERMINATION	
DRAWN: Paiboon Luekhamhan	DATE: 08-08-2011	PART NO. TSF-18	
APPROVED: T. Nguyen	DATE: 08-8-2011	CAGE CODE: OD2L5	SIZE: N/A REV: N/A DWG NO.: 85816
THIRD ANGLE PROJECTION 		DO NOT SCALE THE DRAWING	