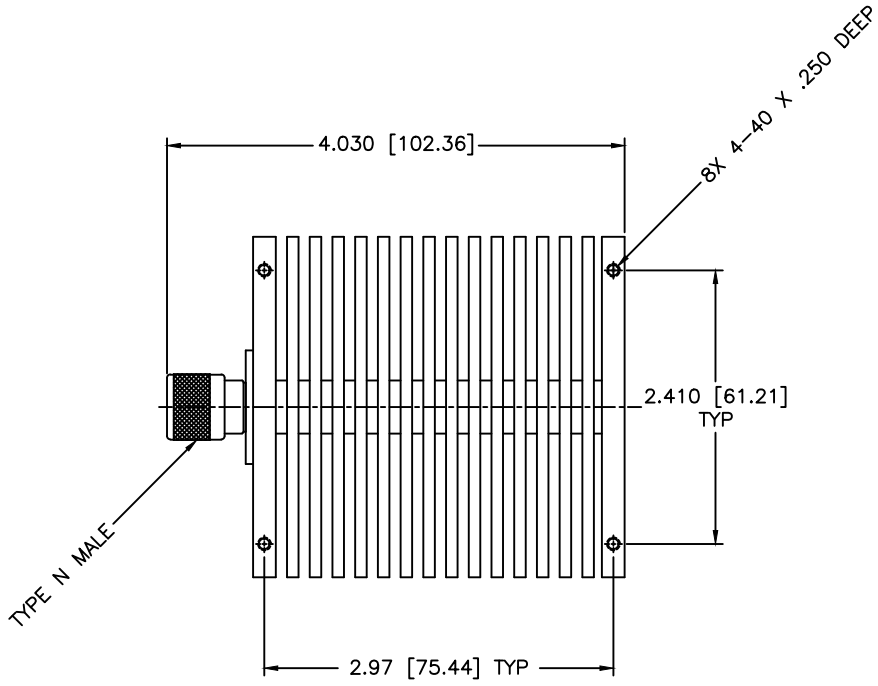
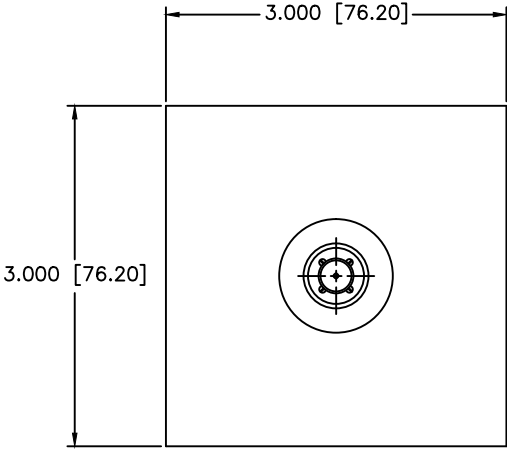


| REVISIONS | | | | |
|-----------|-----|-------------|------|----------|
| ZONE | REV | DESCRIPTION | DATE | APPROVED |
| | | | | |



SPECIFICATIONS

FREQUENCY RANGE: DC-6 GHz
 VSWR: 1.25:1 Max.
 IMPEDANCE: 50 Ohms
 INPUT POWER: 50 Watts Avg @+25°C
 Derated Linearly to 10 Watts @ +125°C
 PEAK POWER: 500 Watts Max.
 5 Usec Pulse; 0.05% Duty Cycle
 OPERATING TEMP. RANGE: -65°C to +125°C

| | | | | |
|---|-------------------------|--|---|--------------------------|
| MATERIAL: | DRAWN: Palboon Luakhman | DATE: 09-17-2009 | MCLI MICROWAVE COMMUNICATIONS LABORATORIES INC. 7250 30TH AVE. N. SAINT PETERSBURG, FL 33710 TEL: (727) 544-6254 FAX: (727) 381-8118 http://WWW.MCLI.COM | SCALE: N/A |
| | | | | SHEET: N/A |
| APPROVED: T. Nguyen | DATE: 09-17-2009 | UNLESS OTHERWISE SPECIFIED: TOLERANCES IN (INCHES) OR (mm) (MILLIMETERS) FRACTIONS: ± 1/32 DECIMALS: ± .010 ANGLE: ± 1/2° | DRAWING TITLE: TERMINATION | PART NO.: |
| | | | | TNM-15-50 |
| THE INFORMATION ON THIS DRAWING IS PROPRIETARY AND SHALL NOT BE REPRODUCED OR TRANSMITTED IN ANY FORM OR BY ANY MEANS WITHOUT PERMISSION FROM MICROWAVE COMMUNICATIONS LABORATORIES INC. (MCLI) | | | CAGE CODE: OD2L5 | SIZE: N/A |
| | | | REV: N/A | DWG NO. 84590 |
| | | | | DO NOT SCALE THE DRAWING |