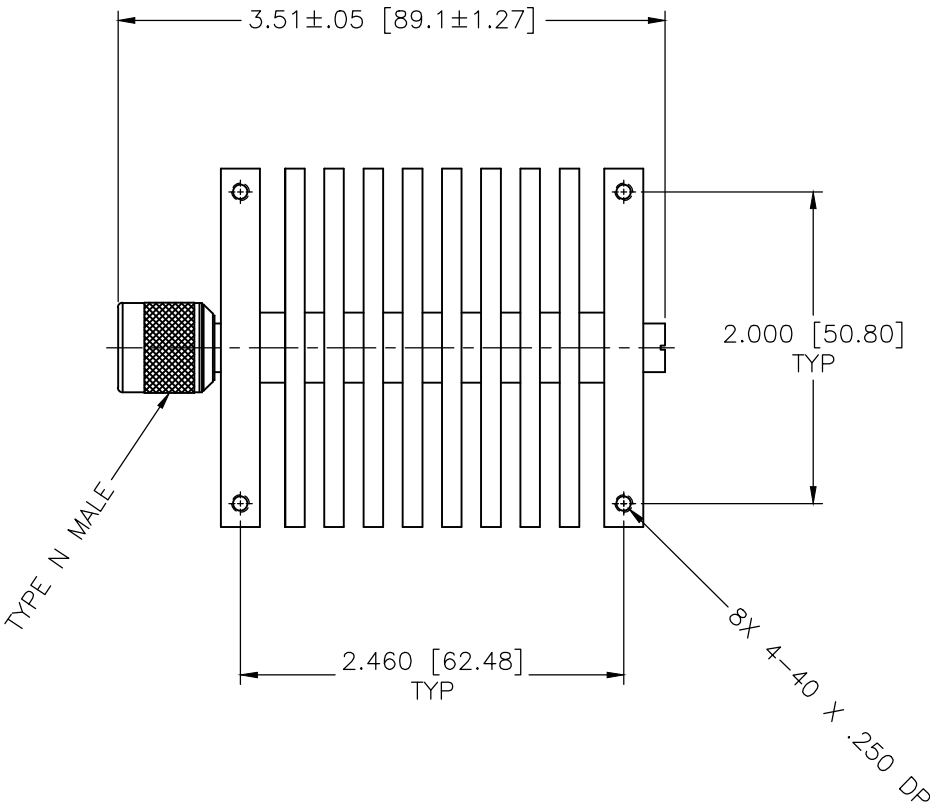
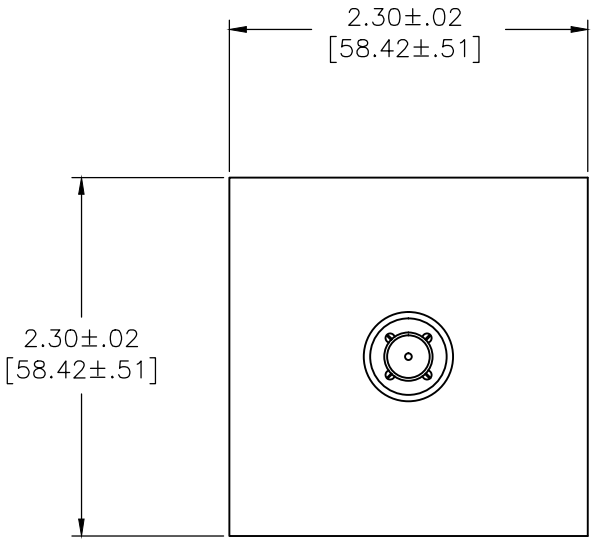


REVISIONS				
ZONE	REV	DESCRIPTION	Date	APPROVED



SPECIFICATIONS

FREQUENCY RANGE DC-6 GHz
 VSWR Maximum:
 DC-6 GHz 1.20:1
 IMPEDANCE 50 Ohms
 INPUT POWER 25 Watts Avg @ +25°C
 Derated Linearly to 5 Watts @ +125°C
 PEAK POWER 500 Watts Max.
 (5 uSec PULSE, .05% DUTY CYCLED)
 OPERATING TEMP. RANGE -65°C to +125°C

MECHANICAL

TYPE N CONNECTOR: PASSIVATED STAINLESS STEEL
 CONDUCTORS: GOLD PLATED BERYLLIUM COPPER
 HOUSING: BLACK ANODIZED ALUMINUM

MATERIAL:		MICROWAVE COMMUNICATIONS LABORATORIES INC. 7255 30TH AVE. N. SAINT PETERSBURG, FL 33710 TEL: (727) 344-6254 FAX: (727) 381-6116 http://www.mcli.com	SCALE: N/A
			SHEET: N/A
UNLESS OTHERWISE SPECIFIED: TOLERANCES IN (INCHES) OR [mm] (MILLIMETERS) FRACTIONS: ± 1/32 DECIMALS: ± .010 ANGLE: ± 1/2°		DRAWING TITLE: 25 Watts TERMINATION	
DRAWN: Paiboon Luekhamhan DATE: 10-01-2009		PART NO. TNM-15-25	
APPROVED: T. Nguyen DATE: 10-01-2009		CAGE CODE: OD2L5	SIZE: N/A REV: N/A DWG NO. 84959
PROPRIETARY NOTICE: THE INFORMATION IN THIS DRAWING IS PROPRIETARY AND SHALL NOT BE USED OR DISCLOSED WITHOUT WRITTEN PERMISSION FROM MICROWAVE COMMUNICATIONS LABORATORIES INC. (MCLI)		DO NOT SCALE THE DRAWING	