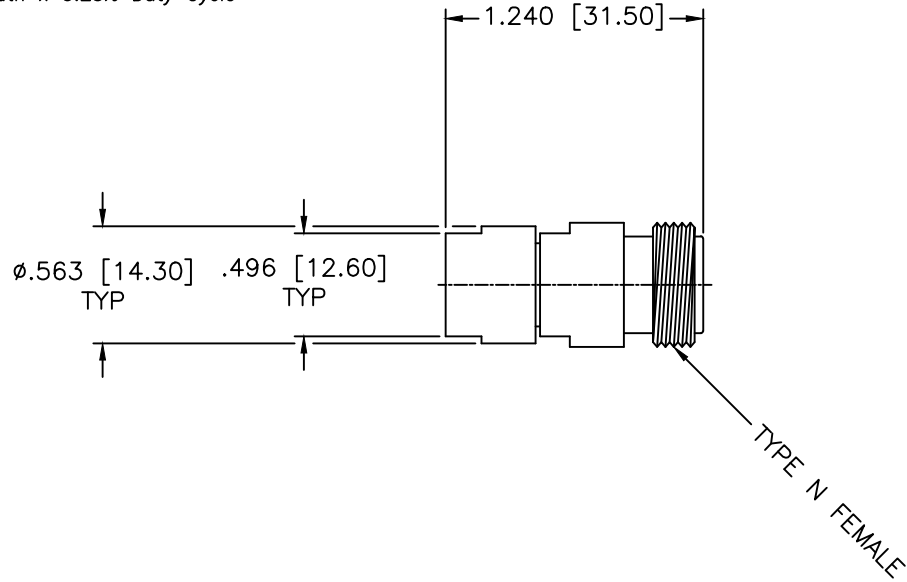


REVISIONS				
ZONE	REV	DESCRIPTION	Date	APPROVED

SPECIFICATIONS

FREQUENCY RANGE: DC-18 GHz  
 VSWR: 1.35:1 MAX.  
 IMPEDANCE: 50 OHMS  
 POWER: 2W Average  
 Derated Linearly To 10% @ 125°C  
 POWER: 500W Peak  
 @5 uSEC Pulse Width x 0.25% Duty Cycle



MATERIAL:			MICROWAVE COMMUNICATIONS LABORATORIES INC. 7255 30TH AVE. N. SAINT PETERSBURG, FL 33710 TEL: (727) 344-6254 FAX: (727) 381-6116 http://WWW.MCLI.COM		SCALE: N/A
					SHEET: N/A
UNLESS OTHERWISE SPECIFIED: TOLERANCES IN (INCHES) OR [mm] (MILLIMETERS) FRACTIONS: ± 1/64 DECIMALS: ± .02 ± .009 ANGLE: ± 1/2°		DRAWING TITLE: TYPE N FEMALE TERMINATION			
ENG: Paiboon Luekhamhan DATE: 06-20-2023		PART NO. TNF-2			
APPROVED: T. Nguyen DATE: 06-20-2023		FREQUENCY NOTES: THE INFORMATION IN THIS DRAWING IS PROPRIETARY AND SHALL NOT BE USED OR DISCLOSED WITHOUT WRITTEN PERMISSION FROM MICROWAVE COMMUNICATIONS LABORATORIES INC. (MCLI)		CAGE CODE: OD2L5	SIZE: N/A REV: A DWG NO. 86996
THIRD ANGLE PROJECTION		DO NOT SCALE THE DRAWING			