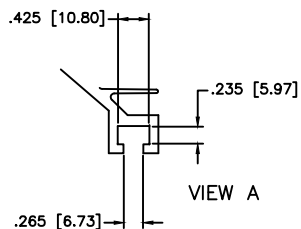
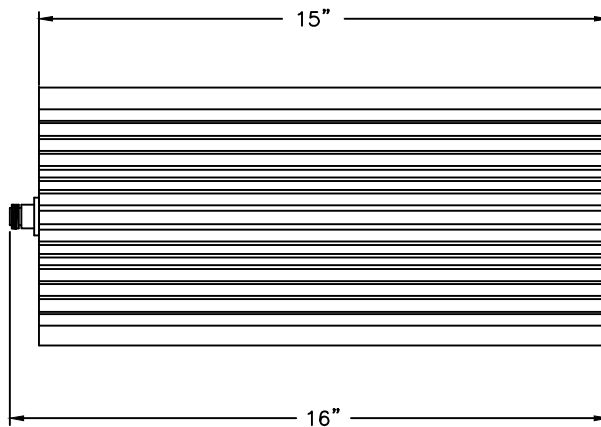
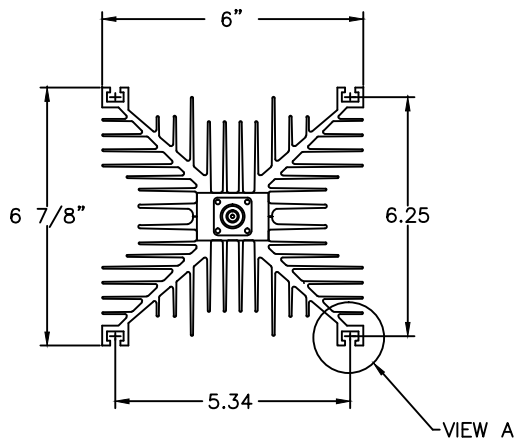


SPECIFICATIONS

IMPEDANCE: 50 OHMS
 FREQUENCY RANGE: DC-2.4 GHz
 VSWR (MAX): 1.15:1 (DC TO 1 GHz)
 1.35:1 (1 TO 2.4 GHz)
 PEAK POWER: 2kW MAX.

REVISIONS					
ZONE	REV	DESCRIPTION	Date	APPROVED	ECN#



MATERIALS

HOUSING ALUMINUM, BLACK ANODIZE
 CONNECTOR TYPE "N" FEMALE CONFORMS TO MIL-C-39012
 HEAT SPREADER COPPER
 SUBSTRATE BERYLLIUM OXIDE
 RESISTIVE ELEMENT THICK FILM
 COOLING CONVECTION AIR FAN COOLED

MATERIAL:		MICROWAVE COMMUNICATIONS LABORATORIES INC. 7255 30TH AVE. N. SAINT PETERSBURG, FL 33710 TEL: (727) 344-6254 FAX: (727) 381-6116 http://WWW.MCLI.COM	SCALE:	N/A
			SHEET:	N/A
		UNLESS OTHERWISE SPECIFIED: TOLERANCES IN (INCHES) OR [mm] (MILLIMETERS) FRACTIONS: ± 1/64 DECIMALS: ±.01 ±.005 ANGLE: ±1/2°	DRAWING TITLE: 500 WATTS TERMINATION	
		PROPRIETARY NOTICE: THE INFORMATION IN THIS DRAWING IS PROPRIETARY AND SHALL NOT BE USED OR DISCLOSED WITHOUT WRITTEN PERMISSION FROM MICROWAVE COMMUNICATIONS LABORATORIES INC. (MCLI)	PART NO. TNF-15-500	
DRAWN: Paiboon Luekhamhan	DATE: 02/16/2016	THIRD ANGLE PROJECTION 	CAGE CODE:	OD2L5
APPROVED: T. Nguyen	DATE: 02/16/2016		SIZE: N/A	REV: N/A
			DO NOT SCALE THE DRAWING	