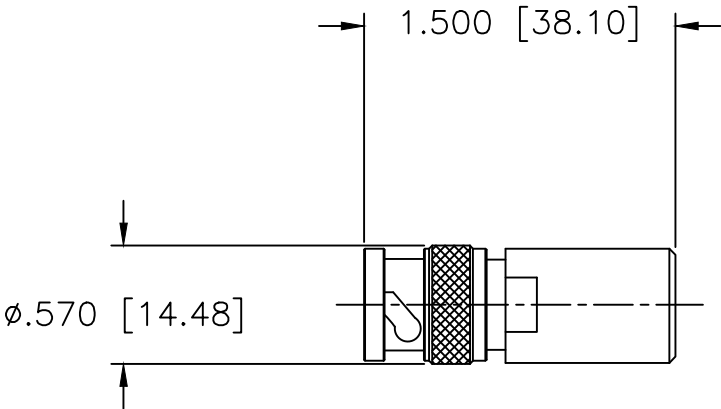


REVISIONS				
ZONE	REV	DESCRIPTION	Date	APPROVED



MATERIAL:	
DRAWN: Paiboon Luekhamhan	DATE: 12-07-1997
APPROVED: T. Nguyen	DATE: 12-07-1997

MCLI MICROWAVE COMMUNICATIONS LABORATORIES INC.
 7255 30TH AVE. N. SAINT PETERSBURG, FL 33710
 TEL: (727) 344-6254 FAX: (727) 381-6116
 http://WWW.MCLI.COM

SCALE:	N/A
SHEET:	N/A

UNLESS OTHERWISE SPECIFIED:
 TOLERANCES
 IN (INCHES) OR [mm] (MILLIMETERS)
 FRACTIONS: ± 1/64
 DECIMALS: ± .01 ± .005
 ANGLE: ± 1/2°

DRAWING TITLE:
5 WATTS, BNC MALE TERMINATION

PART NO.
TBM-1

PROPRIETARY NOTICE:
 THE INFORMATION IN THIS DRAWING IS PROPRIETARY
 AND SHALL NOT BE USED OR DISCLOSED WITHOUT WRITTEN
 PERMISSION FROM MICROWAVE COMMUNICATIONS
 LABORATORIES INC. (MCLI)
 THIRD ANGLE PROJECTION

CAGE CODE:
OD2L5

SIZE:	N/A	REV:	N/A
DO NOT SCALE THE DRAWING			

DWG NO.
80778