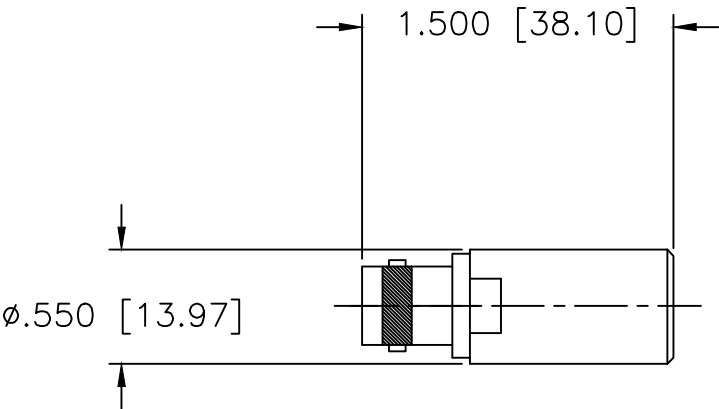




REVISIONS				
ZONE	REV	DESCRIPTION	Date	APPROVED



MATERIAL:		 <b>MICROWAVE COMMUNICATIONS LABORATORIES INC.</b> 7255 30TH AVE. N. SAINT PETERSBURG, FL 33710 TEL: (727) 344-6254 FAX: (727) 381-6116 http://WWW.MCLI.COM	SCALE:	N/A
			SHEET:	N/A
UNLESS OTHERWISE SPECIFIED: TOLERANCES IN (INCHES) OR [mm] (MILLIMETERS) FRACTIONS: ± 1/64 DECIMALS: ± .01 ± .005 ANGLE: ± 1/2°		DRAWING TITLE:		
		5 WATT BNC FEMALE TERMINATION		
DRAWN:		<small>PROPRIETARY NOTICE:          THE INFORMATION IN THIS DRAWING IS PROPRIETARY          AND SHALL NOT BE USED OR DISCLOSED WITHOUT WRITTEN          PERMISSION FROM MICROWAVE COMMUNICATIONS          LABORATORIES INC. (MCLI)</small>	PART NO.	
Paiboon Luekhamhan			TBF-2	
DATE:		<small>THIRD ANGLE PROJECTION</small> 	CAGE CODE:	DWG NO.
12-07-1997			OD2L5	80781
APPROVED:		SIZE: N/A    REV: N/A DO NOT SCALE THE DRAWING		
T. Nguyen				
DATE:				
12-07-1997				