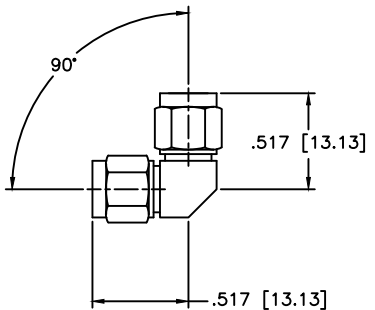
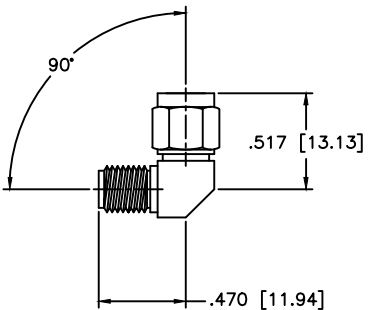


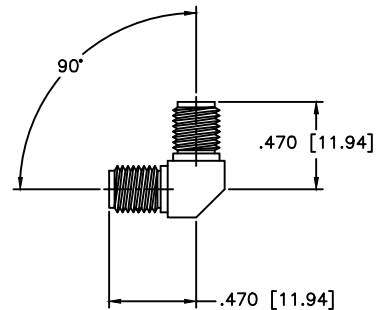
REVISIONS				
ZONE	REV	DESCRIPTION	DATE	APPROVED



SA90-27-MF



SA90-27-MF



SA90-27-FF

Specifications

Impedance: 50 Ohms  
 VSWR: 1.15:1 Max. @ 27 GHz  
 Frequency: DC-27 GHz  
Mechanical  
 500 Cycles Per Minute  
 3.0 Inch Ounces Min. Contact Torque  
 7-10 Lbs Coupling Nut Mating Torque

Materials

Connectors: Passivated Stainless Steel  
 Contacts: Gold Plated  
 Insulator: Teflon

Environmental

Temperature Range -65°C to +165°C  
 Corrosion: MIL-STD-202  
 Vibration: MIL-STD-202  
 ROHS Compliant

MATERIAL:		MICROWAVE COMMUNICATIONS LABORATORIES INC. 7255 30TH AVE. N. SAINT PETERSBURG, FL 33710 TEL: (727) 344-6254 FAX: (727) 381-6116 http://WWW.MCLI.COM	SCALE:	N/A
			SHEET:	N/A
UNLESS OTHERWISE SPECIFIED: TOLERANCES IN (INCHES) OR [mm] (MILLIMETERS) FRACTIONS: ± 1/64 DECIMALS: ±.01 ±.005 ANGLE: ±1/2°		DRAWING TITLE: SMA SWEPT ADAPTERS		
DRAWN: Paiboon Luengkhamhan		PART NO. SA90-27-X		
DATE: 08-25-2011		CAGE CODE: OD2L5		
APPROVED: T. Nguyen		DATE: 08-25-2011		SIZE: A REV: N/A DWG NO. 85868
PROPRIETARY NOTICE: THE INFORMATION IN THIS DRAWING IS PROPRIETARY AND SHALL NOT BE USED OR DISCLOSED WITHOUT WRITTEN PERMISSION FROM MICROWAVE COMMUNICATIONS LABORATORIES INC. (MCLI) THIRD ANGLE PROJECTION 		DO NOT SCALE THE DRAWING		