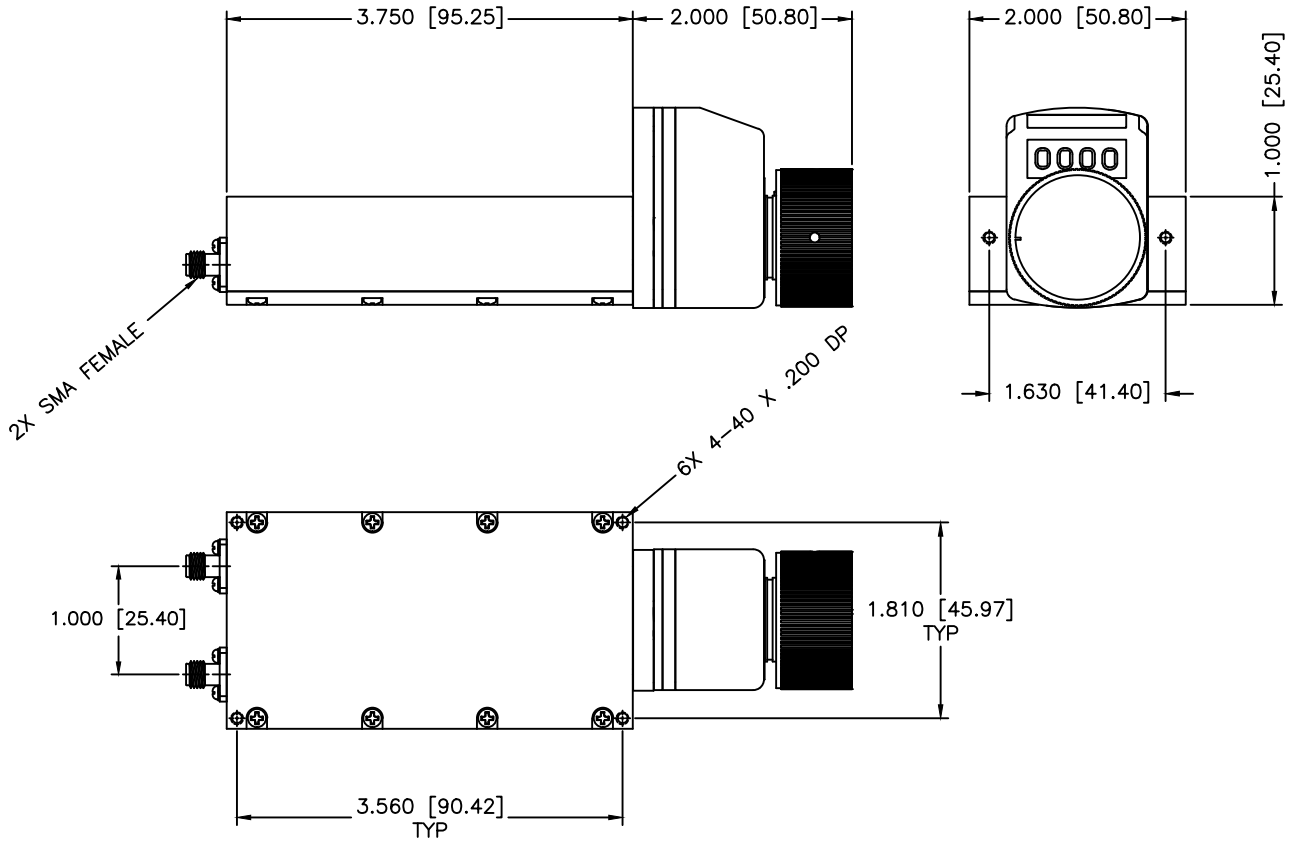
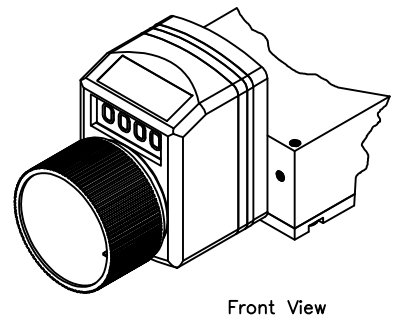


REVISIONS				
ZONE	REV	DESCRIPTION	DATE	APPROVED



Part No.	Freq. Range (GHz)	Insertion Loss (dB) Max.	Minimum Phase Adjust	VSWR Max.	Power Avg. (W)	Power Peak (kW)
PX-301D-375	DC-2.3	0.5	0-30°/GHz	1.50	100	3
PX-302D-375	DC-4.3	0.5	0-30°/GHz	1.50	100	3
PX-303D-375	DC-8.2	0.6	0-30°/GHz	1.50	100	3
PX-303D-375	DC-12.7	0.7	0-30°/GHz	1.50	100	3
PX-304D-375	DC-18.6	1.0	0-30°/GHz	1.60	100	3
PX-305D-375	DC-26.5	1.5	0-30°/GHz	2.00	100	3
PX-3601D-375	18.0-26.5	1.5	0-360°	1.80	100	3
*PX-3602D-375	18-40	2.5	0-360°	2.00	100	3

Insertion Phase @ 1GHz: 240° (Min. Setting)
 *2.92mm Female connectors



Front View

MATERIAL: Aluminum Body		MICROWAVE COMMUNICATIONS LABORATORIES INC. 7255 30TH AVE. N. SAINT PETERSBURG, FL 33710 TEL: (727) 344-6254 FAX: (727) 381-6116 http://WWW.MCLI.COM	SCALE: N/A
			SHEET: N/A
		UNLESS OTHERWISE SPECIFIED: TOLERANCES IN (INCHES) OR [mm] (MILLIMETERS) FRACTIONS: ± 1/64 DECIMALS: ±.02 ±.015 ANGLE: ±1/2°	DRAWING TITLE: 3.75" PHASE SHIFTER WITH DIAL
DRAWN: Paiboon		DATE: 10-01-2024	PART NO. PX-30D-375
APPROVED: P. Nguyen		DATE: 10-01-2024	CAGE CODE: OD2L5
		PROPRIETARY NOTICE: THE INFORMATION IN THIS DRAWING IS PROPRIETARY AND SHALL NOT BE USED OR DISCLOSED WITHOUT WRITTEN PERMISSION FROM MICROWAVE COMMUNICATIONS LABORATORIES INC. (MCLI)	SIZE: N/A
		THIRD ANGLE PROJECTION	REV: N/A
			DWG NO. 87314
DO NOT SCALE THE DRAWING			