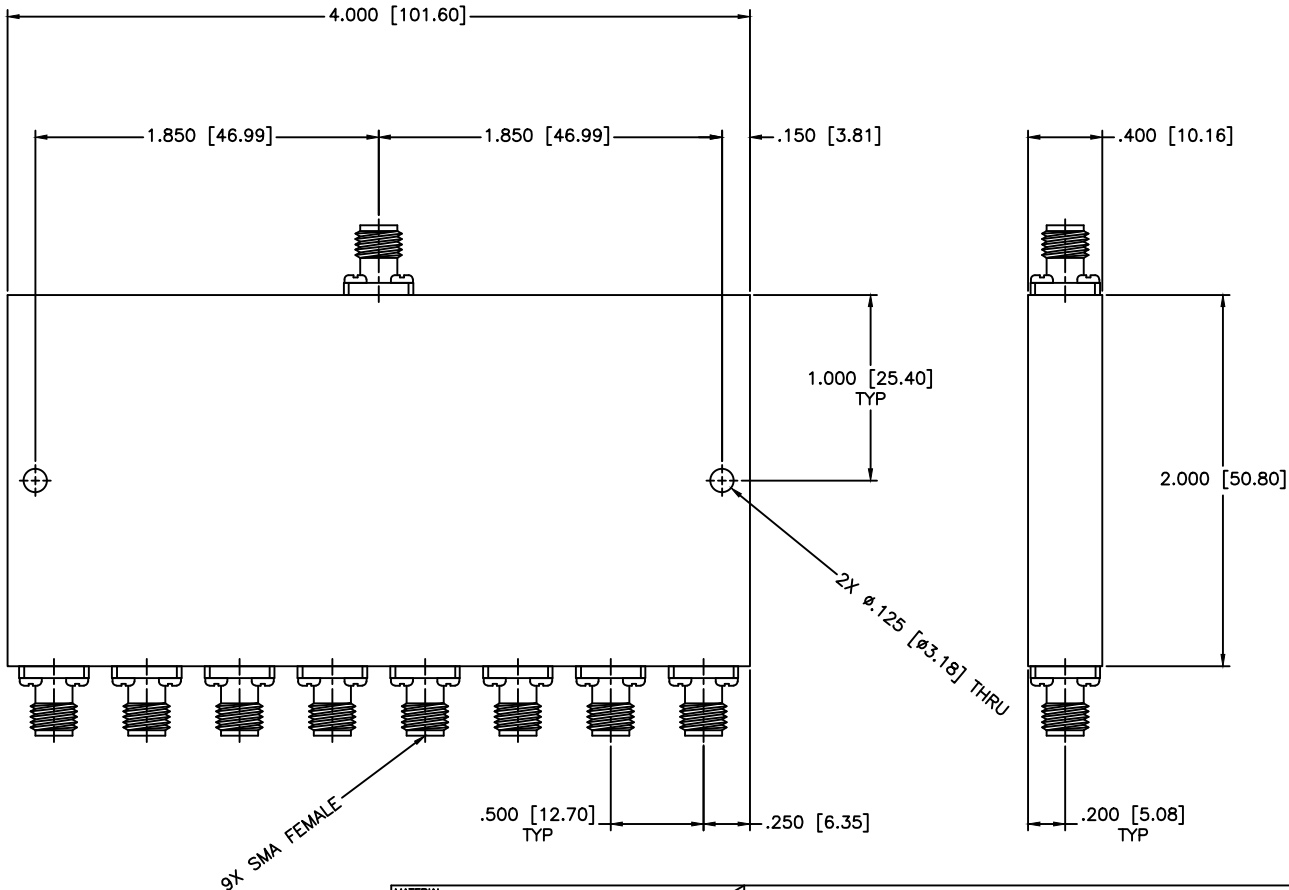


REVISIONS				
ZONE	REV	DESCRIPTION	DATE	APPROVED



**SPECIFICATIONS**

Frequency Range: 11.7–14.6 GHz  
 VSWR In/Out: 1.75:1/1.65:1 Max.  
 Insertion Loss: 1.8dB Max.  
 Isolation: 15dB Min.  
 Phase Balance: ±14 Deg. Max.  
 Amplitude Balance: ±0.6dB Max.  
 Power Rating: 30W (Load vswr @ 1.2)

MATERIAL:	
DRAWN: Paiboon Luekhamhan	DATE: 10-21-1999
APPROVED: T. Nguyen	DATE: 10-21-1999

	MICROWAVE COMMUNICATIONS LABORATORIES INC. 7255 30TH AVE. N. SAINT PETERSBURG, FL 33710 TEL: (727) 344-6254 FAX: (727) 381-6116 http://WWW.MCLI.COM		SCALE: N/A
	UNLESS OTHERWISE SPECIFIED: TOLERANCES IN (INCHES) OR [mm] (MILLIMETERS) FRACTIONS: ± 1/64 DECIMALS: ±.01 ±.005 ANGLE: ±1/2°		SHEET: N/A
DRAWING TITLE: <b>8-WAY POWER DIVIDER</b>		PART NO. PS8-48	
CAGE CODE: OD2L5	SIZE: A	REV: N/A	DWG NO. 80990
DO NOT SCALE THE DRAWING			

PROPRIETARY NOTICE:  
 THE INFORMATION IN THIS DRAWING IS PROPRIETARY  
 AND SHALL NOT BE USED OR DISCLOSED WITHOUT WRITTEN  
 PERMISSION FROM MICROWAVE COMMUNICATIONS  
 LABORATORIES, INC. (MCLI)

THIRD ANGLE PROJECTION