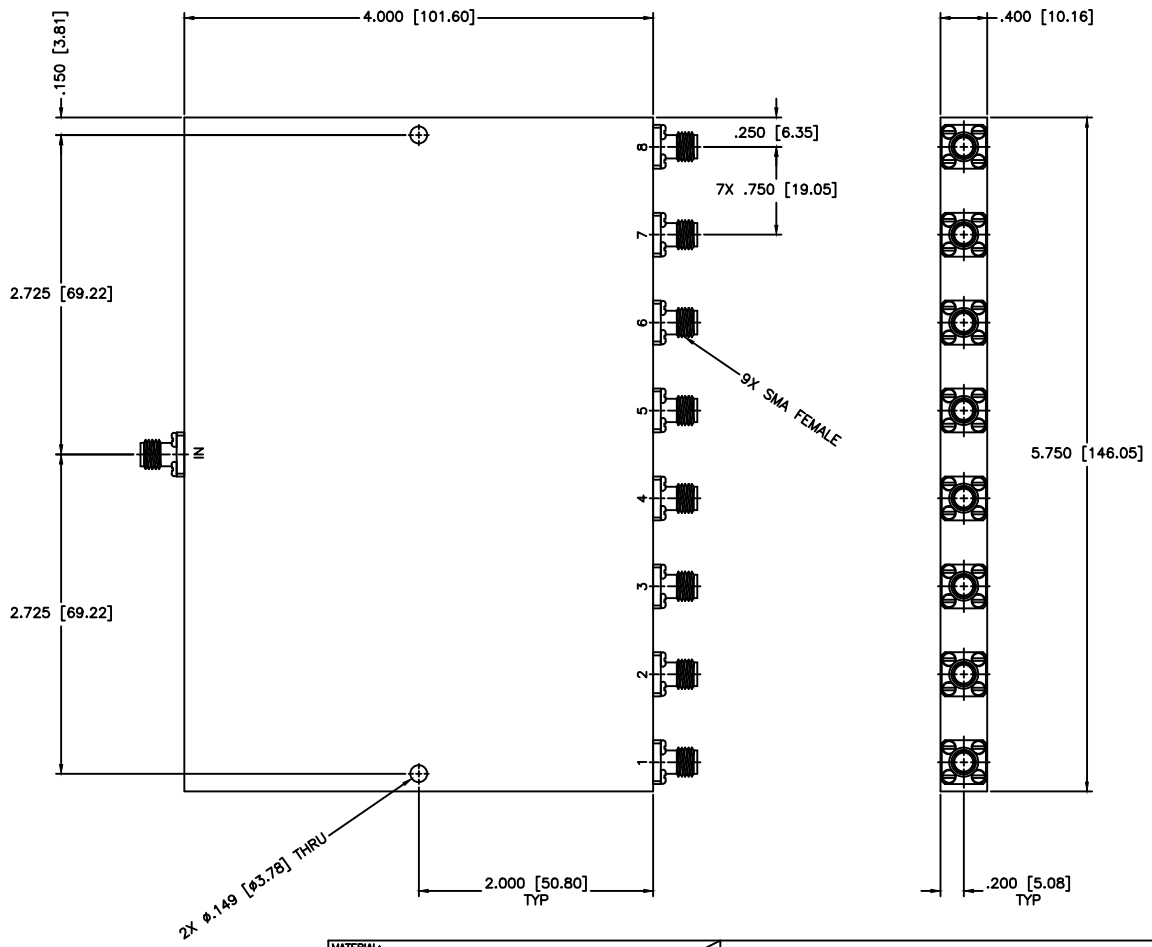


REVISIONS				
ZONE	REV	DESCRIPTION	Date	APPROVED



SPECIFICATION

Frequency Range: 2–6 GHz
 Insertion Loss: 1.2dB Max.
 Isolation: 17dB Min.
 Power Rating: 30 Watts
 Amplitude Balance: ±0.4dB
 VSWR In/Out: 1.50:1/1.40:1 Max.
 Phase Balance: ±8 Deg.

MATERIAL:		MCLI MICROWAVE COMMUNICATIONS LABORATORIES INC. 7255 30TH AVE. N. SAINT PETERSBURG, FL 33710 TEL: (727) 344-6254 FAX: (727) 381-6116 http://WWW.MCLI.COM	SCALE:	N/A			
			SHEET:	N/A			
		UNLESS OTHERWISE SPECIFIED: TOLERANCES IN (INCHES) OR [mm] (MILLIMETERS) FRACTIONS: ± 1/64 DECIMALS: ±.01 ±.005 ANGLE: ±1/2°	DRAWING TITLE: 8-WAY POWER DIVIDER				
		PROPERTY NOTICE: THE INFORMATION IN THIS DRAWING IS PROPRIETARY AND SHALL NOT BE USED OR DISCLOSED WITHOUT WRITTEN PERMISSION FROM MICROWAVE COMMUNICATIONS LABORATORIES INC. (MCLI)	PART NO. PS8-43/S				
DRAWN: Paiboon Luekhamhan	DATE: 05-28-2015	THIRD ANGLE PROJECTION	CAGE CODE:	OD2L5			
APPROVED: T. Nguyen	DATE: 05-28-2015		SIZE:	N/A	REV:	N/A	DWG NO.:
		DO NOT SCALE THE DRAWING					