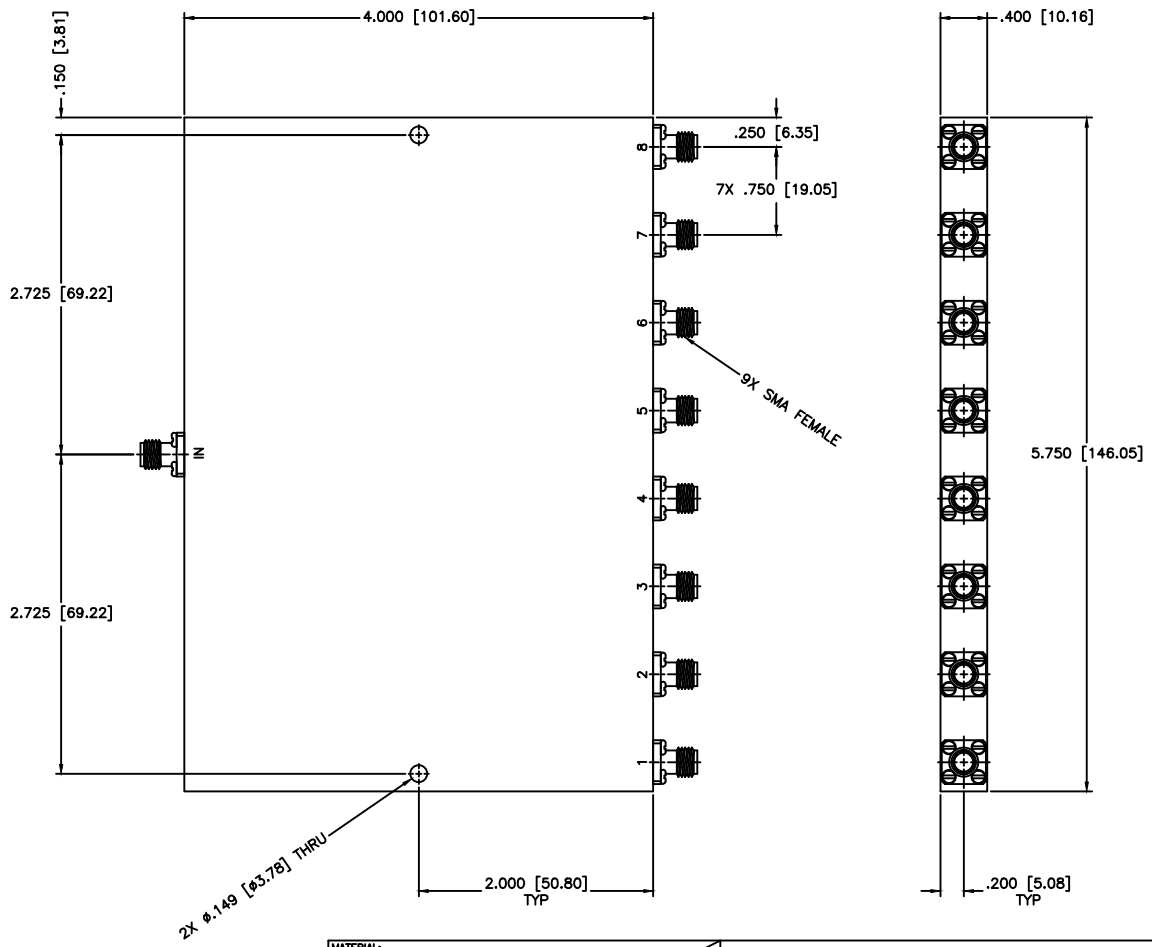


REVISIONS				
ZONE	REV	DESCRIPTION	Date	APPROVED



**SPECIFICATION**

Frequency Range: 2–6 GHz  
 Insertion Loss: 1.2dB Max.  
 Isolation: 17dB Min.  
 Power Rating: 30 Watts  
 Amplitude Balance: ±0.4dB  
 VSWR In/Out: 1.50:1/1.40:1 Max.  
 Phase Balance: ±8 Deg.

MATERIAL:		<b>MCLI</b> MICROWAVE COMMUNICATIONS LABORATORIES INC. 7255 30TH AVE. N. SAINT PETERSBURG, FL 33710 TEL: (727) 344-6254 FAX: (727) 381-6116 <a href="http://WWW.MCLI.COM">http://WWW.MCLI.COM</a>	SCALE: N/A
			SHEET: N/A
UNLESS OTHERWISE SPECIFIED: TOLERANCES IN (INCHES) OR [mm] (MILLIMETERS) FRACTIONS: ± 1/64 DECIMALS: ±.01 ±.005 ANGLE: ±1/2°		DRAWING TITLE: <b>8-WAY POWER DIVIDER</b>	
DRAWN: Paiboon Luekhamhan		PART NO.: PS8-43/Q	
DATE: 05-28-2015		CAGE CODE: OD2L5	
APPROVED: T. Nguyen		SIZE: N/A	REV: N/A
DATE: 05-28-2015		DWG NO.: 80988	
THIRD ANGLE PROJECTION 		DO NOT SCALE THE DRAWING	