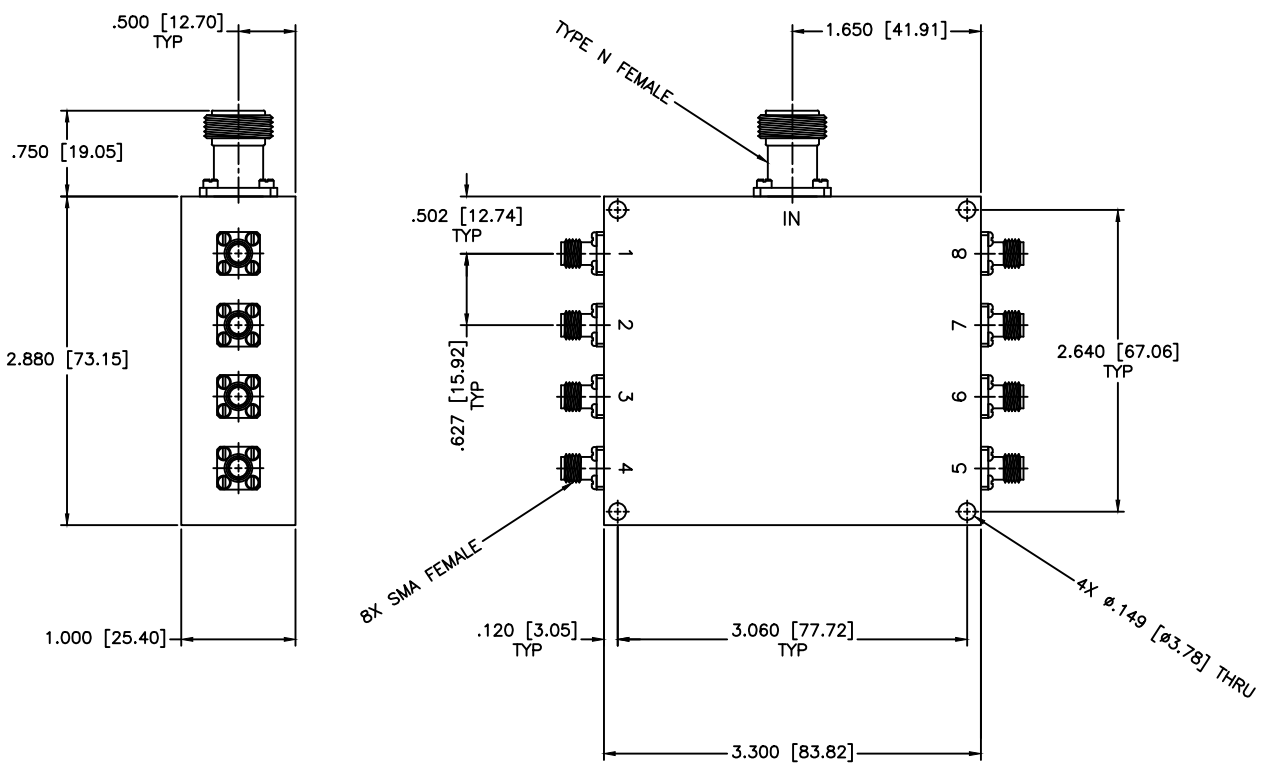


REVISIONS				
ZONE	REV	DESCRIPTION	DATE	APPROVED



SPECIFICATIONS

- Frequency Range: 0.960–1.215 GHz
- Insertion Loss: 3.6dB Max. (Including splitter Loss)
- Isolation: 16dB Min. (Output Ports)
- VSWR: 1.30:1 Max.
- Amplitude Balance: ± 0.3 dB Max.
- Phase Balance: ± 3 Deg. Max.
- Average Power: 140 Watts (Load vswr@1.60:1)
- Peak Power: 2kW
- Operating Temperature: -62°C to $+71^{\circ}\text{C}$

MATERIAL:			MICROWAVE COMMUNICATIONS LABORATORIES INC. 7255 30TH AVE. N. SAINT PETERSBURG, FL 33710 TEL: (727) 344-6254 FAX: (727) 381-6116 http://www.mcli.com		SCALE: N/A
UNLESS OTHERWISE SPECIFIED: TOLERANCES IN (INCHES) OR [mm] (MILLIMETERS) FRACTIONS: $\pm 1/64$ DECIMALS: $\pm 0.02 \pm 0.09$ ANGLE: $\pm 1/2^{\circ}$			DRAWING TITLE: 8-WAY POWER DIVIDER, TYPE N FEMALE INPUT		SHEET: N/A
PART NO. PS8-35/PM		CAGE CODE: OD2L5		SIZE: N/A	REV: A
DRAWN: Paiboon Luekhamhan		DATE: 06-28-1999		DWG NO. 84586	
APPROVED: T. Nguyen		DATE: 06-28-1999		DO NOT SCALE THE DRAWING	
PROPRIETARY NOTICE: THE INFORMATION IN THIS DRAWING IS PROPRIETARY AND SHALL NOT BE USED OR DISCLOSED WITHOUT WRITTEN PERMISSION FROM MICROWAVE COMMUNICATIONS LABORATORIES INC. (MCLI)					