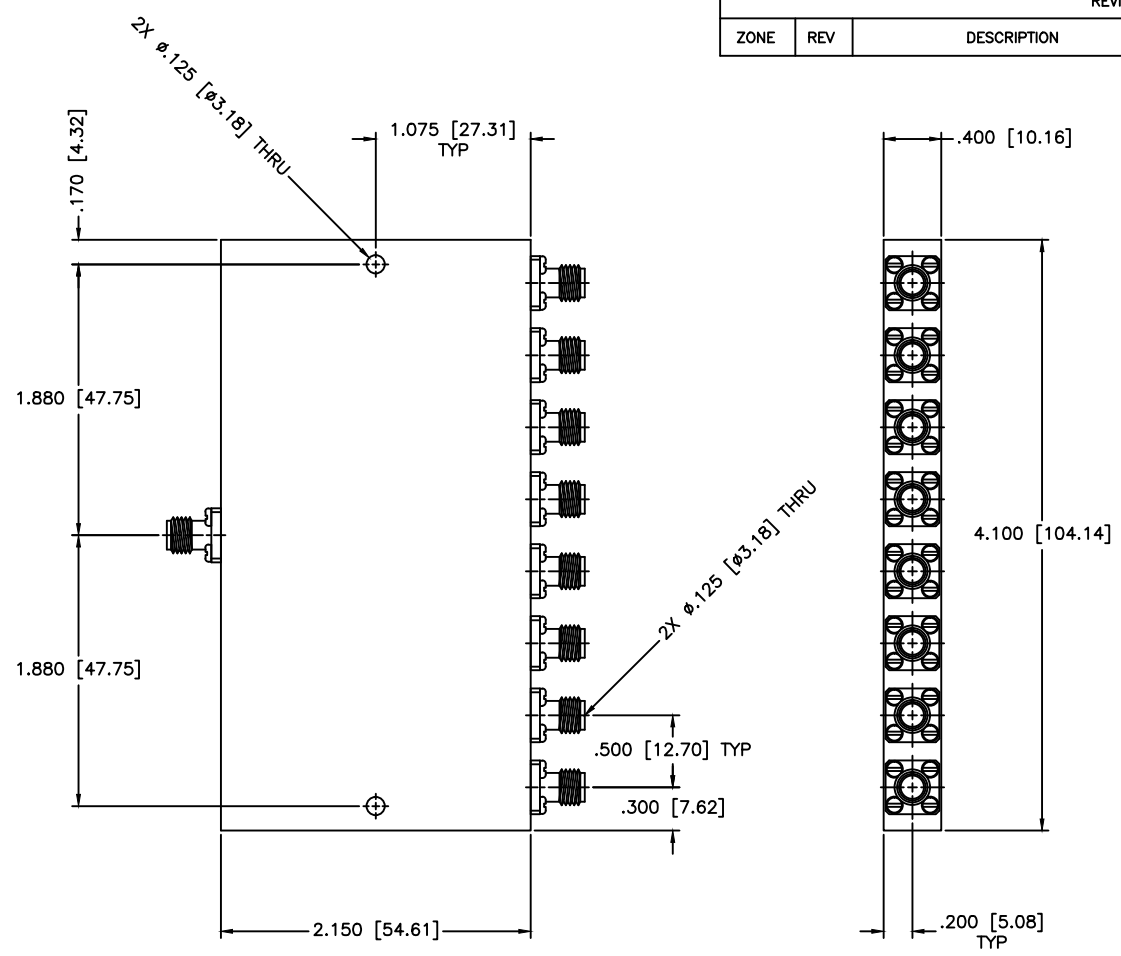


REVISIONS				
ZONE	REV	DESCRIPTION	Date	APPROVED



**SPECIFICATIONS**

- Frequency Range: 1-2 GHz
- VSWR In/Out: 1.45:1/1.35:1 Max.
- Insertion Loss: 1.0dB Max.
- Isolation: 18dB Min.
- Phase Balance: ±6 Deg. Max.
- Amplitude Balance: ±0.35dB Max.
- Power Rating: 30W (Load vswr@1.2)

MATERIAL:		<b>MCLI</b> MICROWAVE COMMUNICATIONS LABORATORIES INC. 7255 30TH AVE. N. SAINT PETERSBURG, FL 33710 TEL: (727) 344-6254 FAX: (727) 381-6116 <a href="http://WWW.MCLI.COM">http://WWW.MCLI.COM</a>	SCALE:	N/A
			SHEET:	N/A
UNLESS OTHERWISE SPECIFIED: TOLERANCES IN (INCHES) OR [mm] (MILLIMETERS) FRACTIONS: ± 1/64 DECIMALS: ±.01 ±.005 ANGLE: ±1/2°		DRAWING TITLE: <b>8-WAY POWER DIVIDER</b>		
DRAWN: Paiboon Luekhamhan		PART NO.: PS8-3		
DATE: 06-22-1999	DATE: 06-22-1999	CAGE CODE: OD2L5	SIZE: N/A	REV: N/A
APPROVED: T. Nguyen	DATE: 06-22-1999	DO NOT SCALE THE DRAWING		DWG NO.: 80243

PROPRIETARY NOTICE:  
THE INFORMATION IN THIS DRAWING IS PROPRIETARY  
AND SHALL NOT BE USED OR DISCLOSED WITHOUT WRITTEN  
PERMISSION FROM MICROWAVE COMMUNICATIONS  
LABORATORIES INC. (MCLI)

THIRD ANGLE PROJECTION