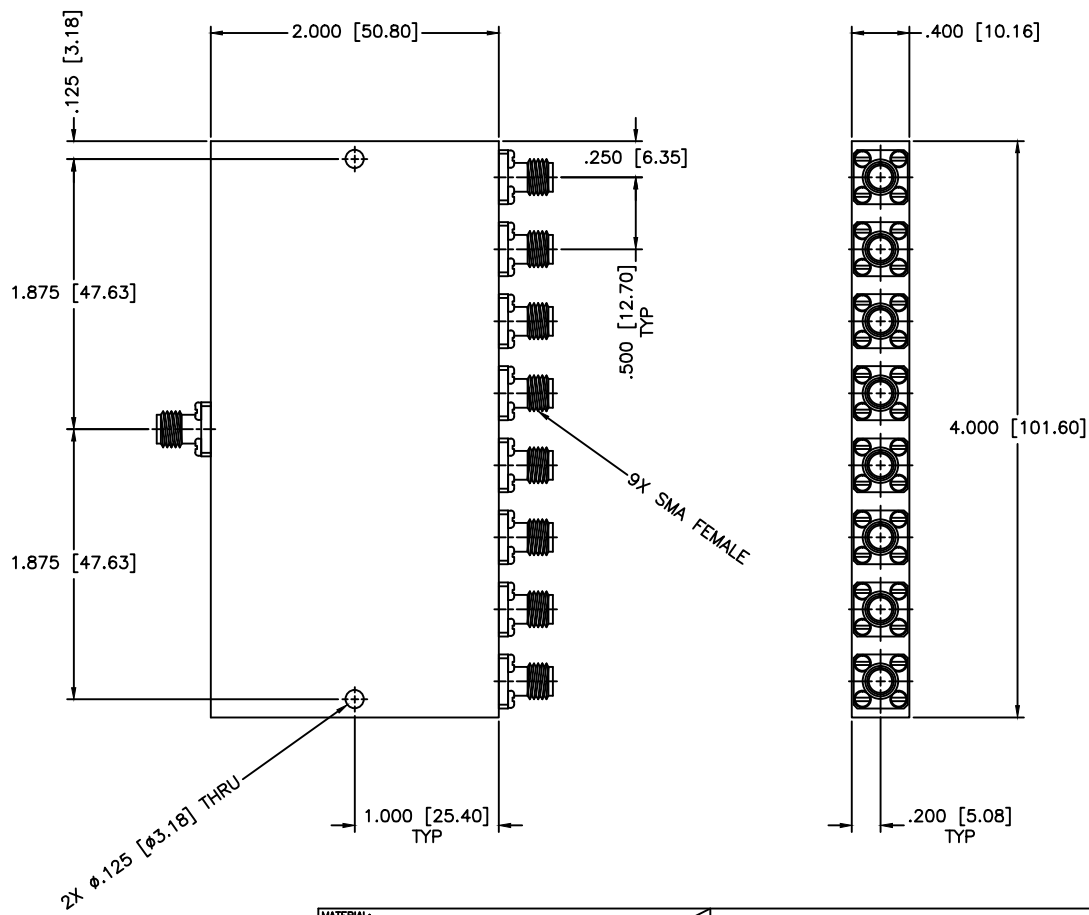


REVISIONS				
ZONE	REV	DESCRIPTION	Date	APPROVED



SPECIFICATIONS

Frequency Range: 4.4–5.8 GHz
 VSWR In/Out: 1.50:1/1.40:1 Max.
 Insertion Loss: 1.2dB Max.
 Isolation: 16dB Min.
 Phase Balance: ±6 Deg. Max.
 Amplitude Balance: ±0.3dB Max.
 Power Rating: 30W (Load vswr @ 1.2)

MATERIAL:		MCLI MICROWAVE COMMUNICATIONS LABORATORIES INC. 7255 30TH AVE. N. SAINT PETERSBURG, FL 33710 TEL: (727) 344-6254 FAX: (727) 381-6116 http://WWW.MCLI.COM	SCALE: N/A
			SHEET: N/A
UNLESS OTHERWISE SPECIFIED: TOLERANCES IN (INCHES) OR [mm] (MILLIMETERS) FRACTIONS: ± 1/64 DECIMALS: ±.01 ±.005 ANGLE: ±1/2°		DRAWING TITLE: 8-WAY POWER DIVIDER	
DRAWN: Paiboon Luekhamhan		PART NO.: PS8-29	
DATE: 04-28-2008	DATE: 04-28-2008	CAGE CODE: OD2L5	SIZE: A
APPROVED: T. Nguyen	DATE: 04-28-2008	REV: N/A	DWG NO.: 80982
PROPRIETARY NOTICE: THE INFORMATION IN THIS DRAWING IS PROPRIETARY AND SHALL NOT BE USED OR DISCLOSED WITHOUT WRITTEN PERMISSION FROM MICROWAVE COMMUNICATIONS LABORATORIES INC. (MCLI)		DO NOT SCALE THE DRAWING	
THIRD ANGLE PROJECTION 			