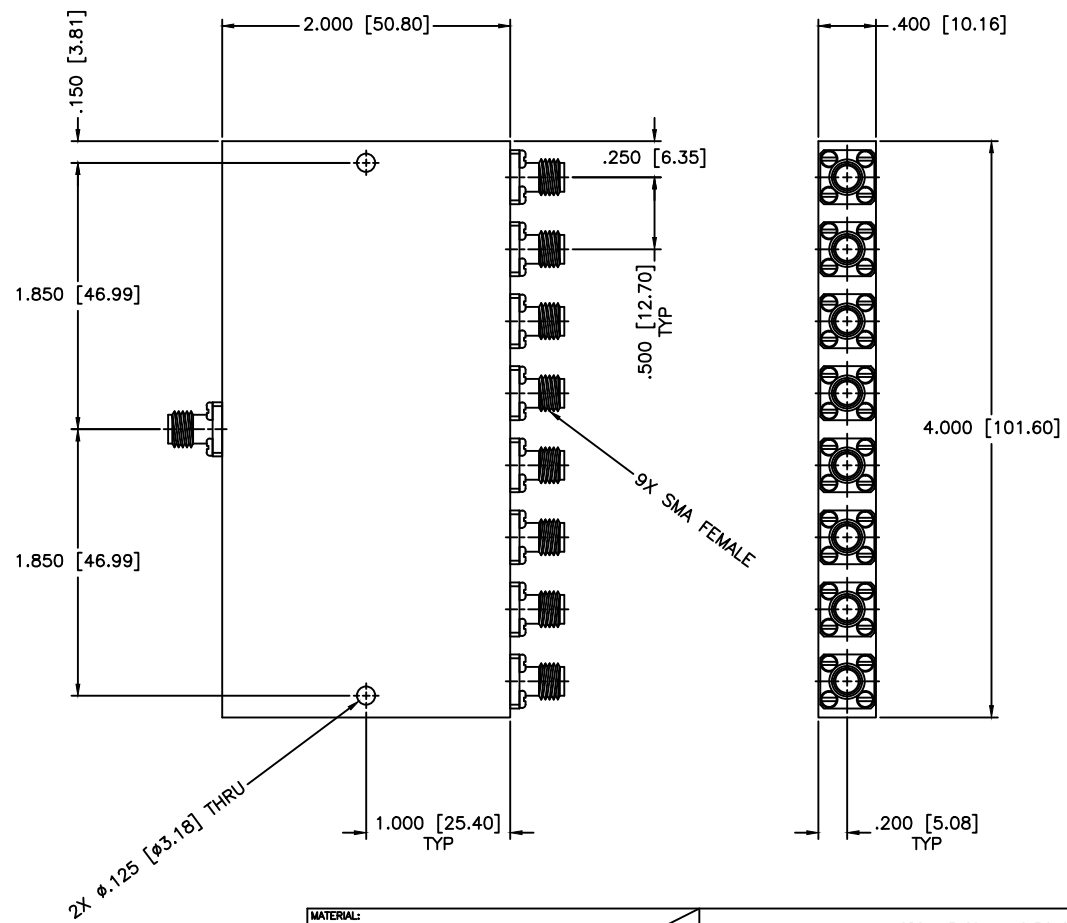


REVISIONS				
ZONE	REV	DESCRIPTION	Date	APPROVED



SPECIFICATIONS

Frequency Range: 11.7–12.2 GHz
 VSWR In/Out: 1.70:1/1.70:1 Max.
 Insertion Loss: 1.3dB Max.
 Isolation: 16dB Min.
 Phase Balance: ±9 Deg. Max.
 Amplitude Balance: ±0.5dB Max.
 Power Rating: 30W (Load vswr @ 1.2)

MATERIAL:		MCLI MICROWAVE COMMUNICATIONS LABORATORIES INC. 7255 30TH AVE. N. SAINT PETERSBURG, FL 33710 TEL: (727) 344-6254 FAX: (727) 381-6116 http://WWW.MCLI.COM	SCALE: N/A
			SHEET: N/A
UNLESS OTHERWISE SPECIFIED: TOLERANCES IN (INCHES) OR [mm] (MILLIMETERS) FRACTIONS: ± 1/64 DECIMALS: ±.01 ±.005 ANGLE: ±1/2°		DRAWING TITLE: 8-WAY POWER DIVIDER	
DRAWN: Paiboon Luekhamhan		PART NO.: PS8-28	
DATE: 10-21-1999		CAGE CODE: OD2L5	
APPROVED: T. Nguyen		DATE: 10-21-1999	
THIRD ANGLE PROJECTION		SIZE: N/A	
		REV: N/A	
		DWG NO.: 80981	
DO NOT SCALE THE DRAWING			