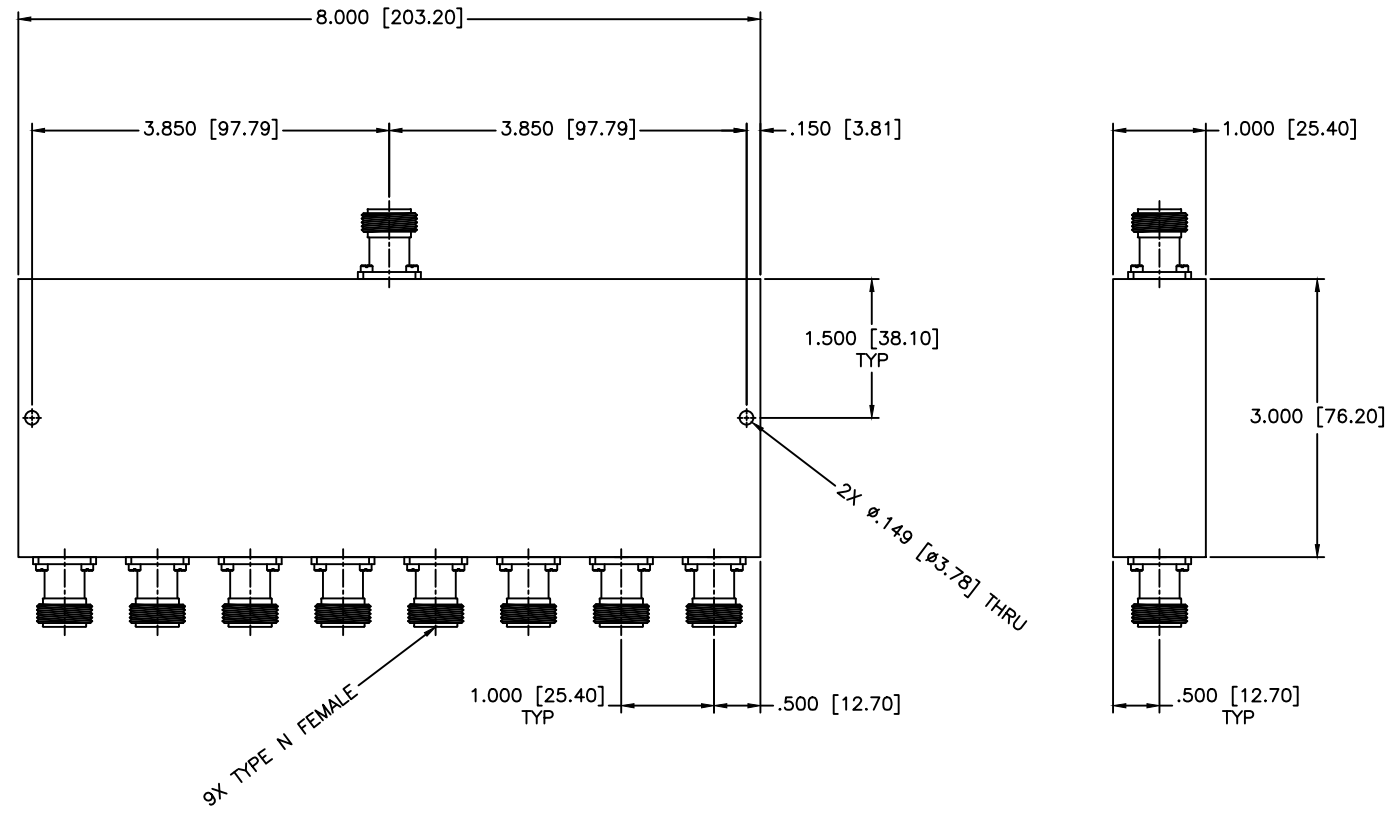


REVISIONS				
ZONE	REV	DESCRIPTION	DATE	APPROVED



**SPECIFICATIONS**

Frequency Range: 1–3 GHz  
 Insertion Loss: 0.8dB Max.  
 Isolation: 16dB Min.  
 VSWR Input/Output: 1.45:1/1.40:1 Max.  
 Phase Balance: ±8 Deg. Max.  
 Amplitude Balance: ±0.6dB Max.  
 Power: 30W (Load vswr@1.2)

MATERIAL			MICROWAVE COMMUNICATIONS LABORATORIES INC. 7255 30TH AVE. N. SAINT PETERSBURG, FL 33710 TEL: (727) 344-6254 FAX: (727) 381-6116 http://WWW.MCLI.COM		SCALE: N/A
UNLESS OTHERWISE SPECIFIED: TOLERANCES IN (INCHES) OR (mm) (MILLIMETERS) FRACTIONS: ± 1/64 DECIMALS: ±.01 ±.005 ANGLE: ±1/2°			DRAWING TITLE: <b>8-WAY POWER DIVIDER</b>		SHEET: N/A
DRAWN: Paiboon Luekhamhan		DATE: 03-13-2008		PART NO.: PS8-25/NF	
APPROVED: T. Nguyen		DATE: 03-13-2008		CAGE CODE: OD2L5	SIZE: C REV: A DWG. NO.: 83090 DO NOT SCALE THE DRAWING

