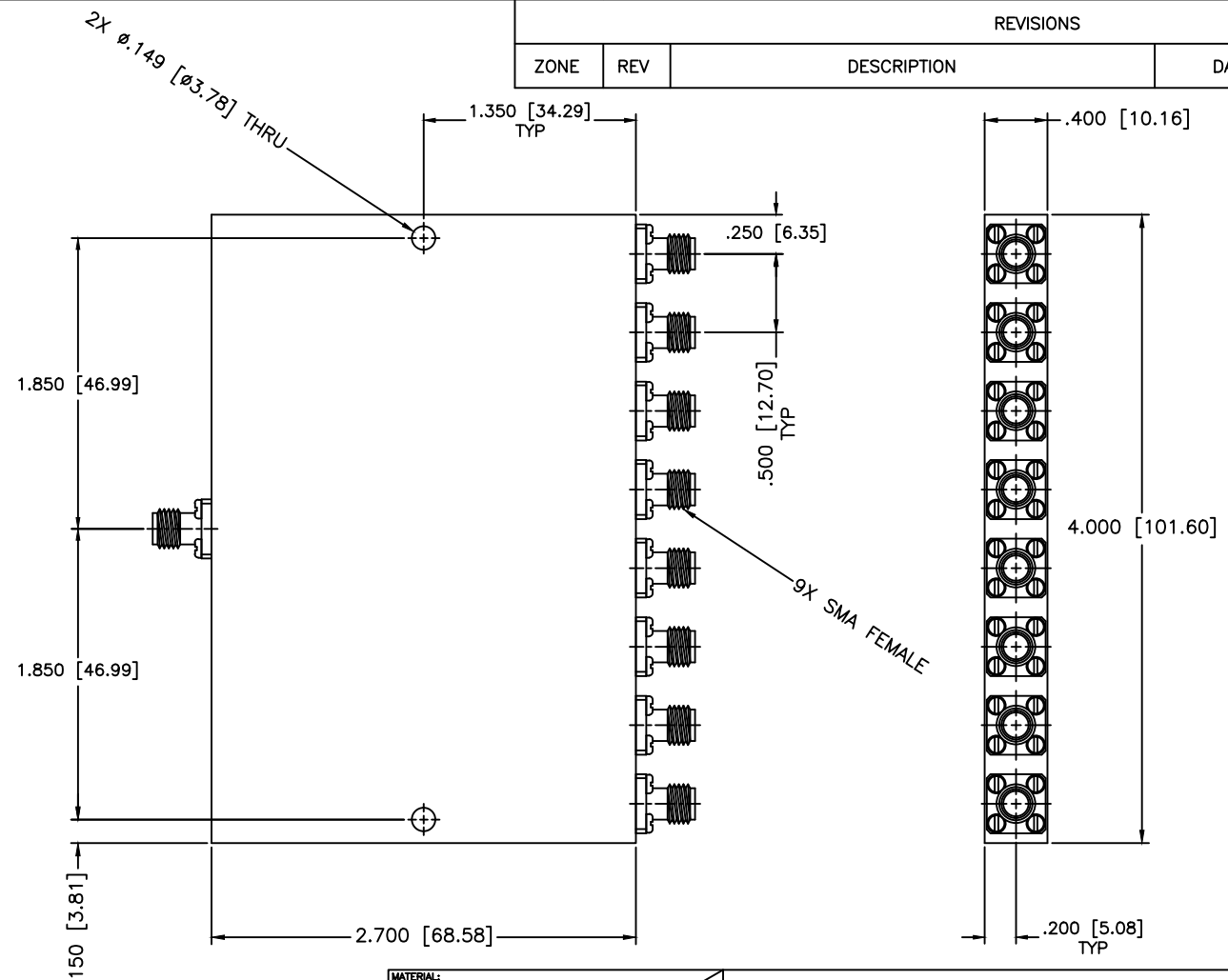


REVISIONS				
ZONE	REV	DESCRIPTION	DATE	APPROVED



**SPECIFICATIONS**

Frequency Range: 1–3 GHz  
 VSWR In/Out: 1.50:0/1.45:1 Max.  
 Insertion Loss: 1.4dB Max.  
 Isolation: 17dB Min.  
 Amplitude Balance: ±0.4dB Max.  
 Phase Balance: ±10 Deg.  
 Power Rating: 30W (Load vswr @ 1.2)

MATERIAL:		<b>MCLI</b> MICROWAVE COMMUNICATIONS LABORATORIES INC. 7255 30TH AVE. N. SAINT PETERSBURG, FL 33710 TEL: (727) 344-6254 FAX: (727) 381-6116 <a href="http://WWW.MCLI.COM">http://WWW.MCLI.COM</a>	SCALE:	N/A
			SHEET:	N/A
UNLESS OTHERWISE SPECIFIED: TOLERANCES IN (INCHES) OR [mm] (MILLIMETERS) FRACTIONS: ± 1/64 DECIMALS: ±.01 ±.005 ANGLE: ±1/2°		DRAWING TITLE:		
		8-WAY POWER DIVIDER		
DRAWN:		PART NO.		
Paiboon Luekhamhan		PS8-25		
DATE:		CAGE CODE:	SIZE:	REV:
10-15-1998		OD2L5	N/A	N/A
APPROVED:		DO NOT SCALE THE DRAWING		DWG NO.
T. Nguyen				82003
DATE:		PROPRIETARY NOTICE: THE INFORMATION IN THIS DRAWING IS PROPRIETARY AND SHALL NOT BE USED OR DISCLOSED WITHOUT WRITTEN PERMISSION FROM MICROWAVE COMMUNICATIONS LABORATORIES INC. (MCLI)		
10-15-1998		THIRD ANGLE PROJECTION 		