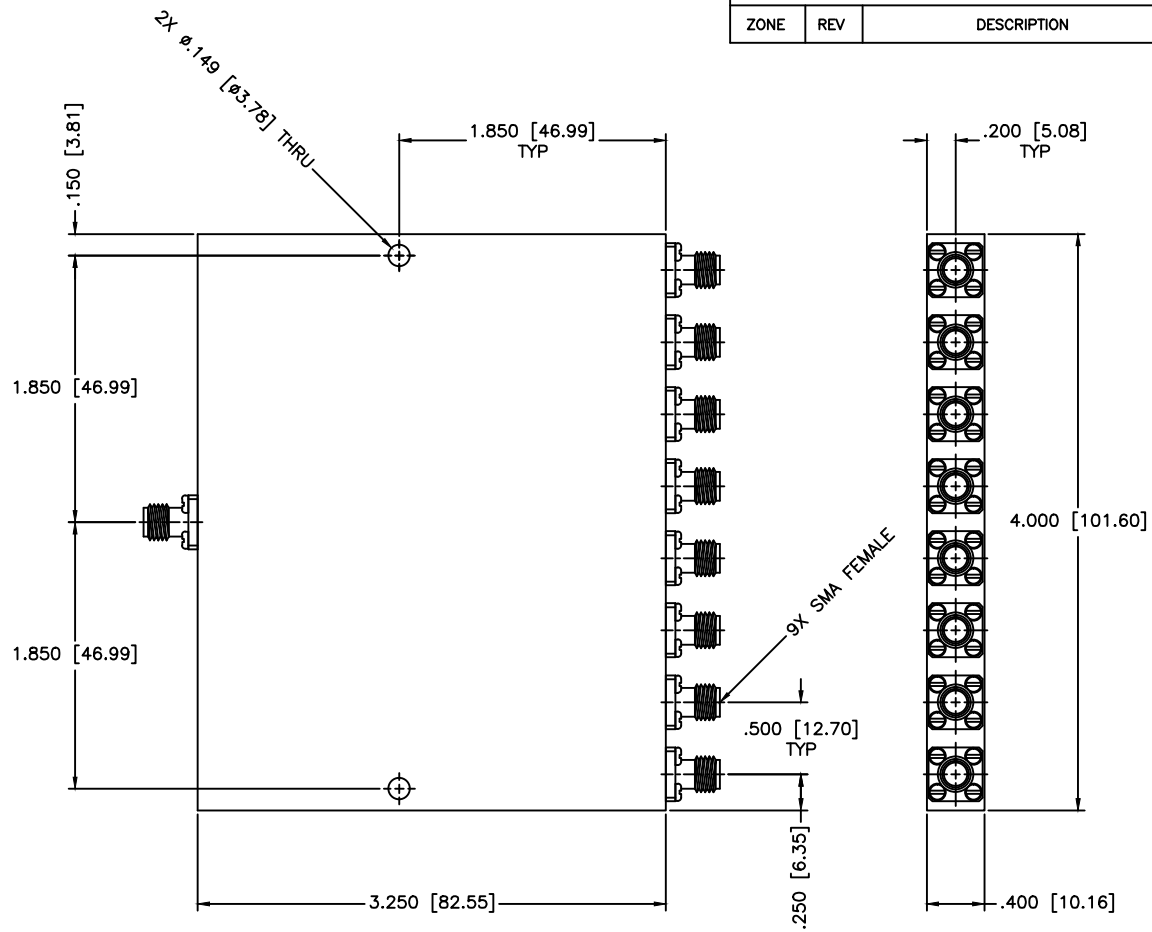


REVISIONS				
ZONE	REV	DESCRIPTION	Date	APPROVED



SPECIFICATIONS

- Frequency Range: 0.9–1.3 GHz
- VSWR In/Out: 1.35:1/1.30:1 Max.
- Insertion Loss: 0.9dB Max.
- Isolation: 18dB Min.
- Phase Balance: ±8 Deg. Max.
- Amplitude Balance: ±0.35dB Max.
- Power Rating: 30W (Load vswr @ 1.2)

MATERIAL:		MCLI MICROWAVE COMMUNICATIONS LABORATORIES INC. 7255 30TH AVE. N. SAINT PETERSBURG, FL 33710 TEL: (727) 344-6254 FAX: (727) 381-6116 http://WWW.MCLI.COM	SCALE:	N/A
			SHEET:	N/A
UNLESS OTHERWISE SPECIFIED: TOLERANCES IN (INCHES) OR [mm] (MILLIMETERS) FRACTIONS: ± 1/64 DECIMALS: ±.01 ±.005 ANGLE: ±1/2°		DRAWING TITLE: 8-WAY POWER DIVIDER		
DRAWN: Paiboon Luekhamhan		PART NO. PS8-2		
DATE: 11-01-1999		CAGE CODE: OD2L5		
APPROVED: T. Nguyen		DATE: 11-01-1999		SIZE: N/A
THIRD ANGLE PROJECTION		REV: N/A		DWG NO. 80242
		DO NOT SCALE THE DRAWING		