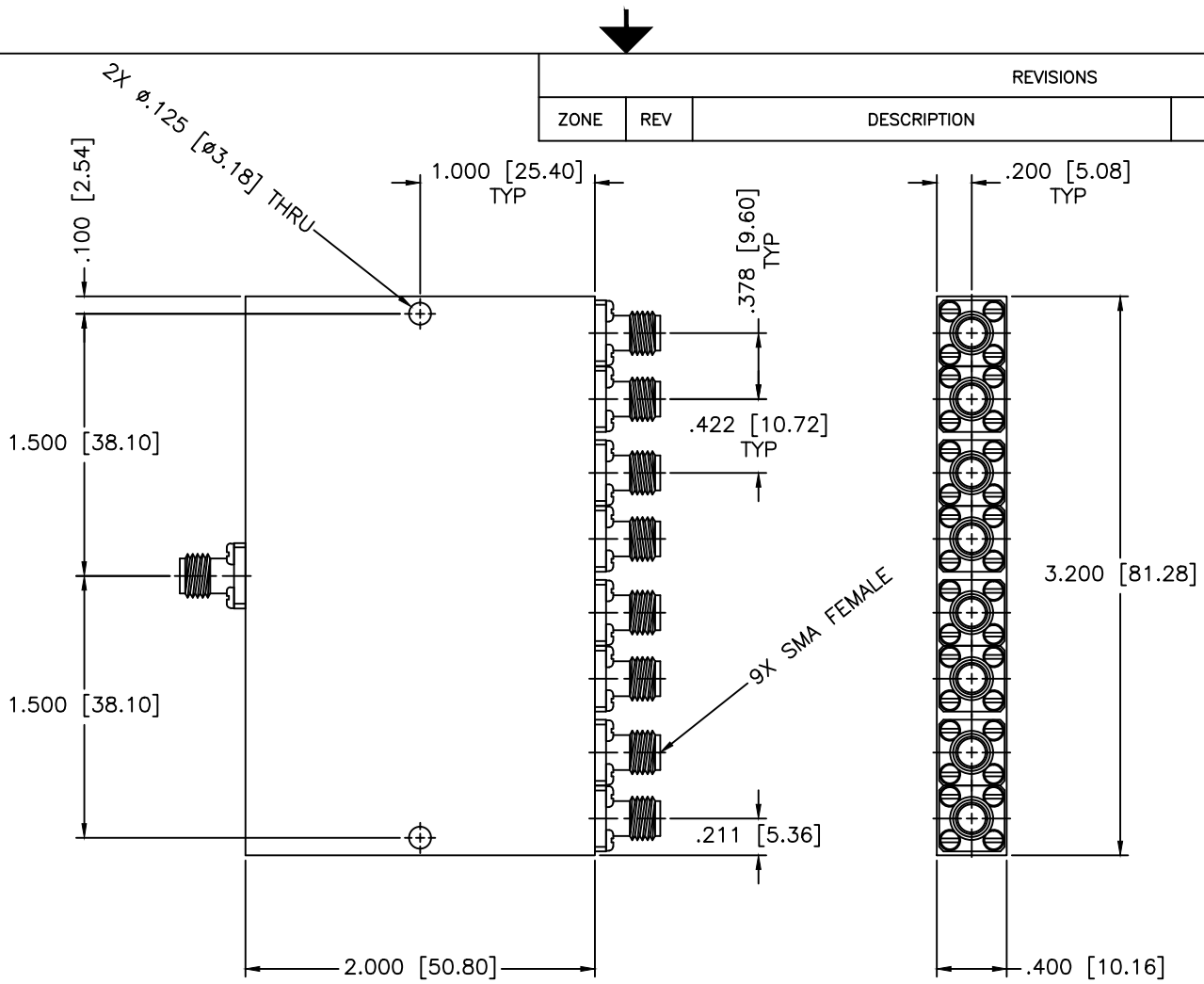


REVISIONS				
ZONE	REV	DESCRIPTION	DATE	APPROVED



**SPECIFICATIONS**

Frequency Range: 3.625–4.25 GHz  
 VSWR In/Out: 1.35:1/1.30:1 Max.  
 Insertion Loss: 0.9dB Max.  
 Isolation: 19dB Min.  
 Phase Balance: ±5 Deg. Max.  
 Amplitude Balance: ±0.3dB Max.  
 Power Rating: 30W (Load vswr @ 1.2)

MATERIAL:	
DRAWN: Paiboon Luekhamhan	DATE: 10-25-1999
APPROVED: T. Nguyen	DATE: 10-25-1999

	MICROWAVE COMMUNICATIONS LABORATORIES INC. 7255 30TH AVE. N. SAINT PETERSBURG, FL 33710 TEL: (727) 344-6254 FAX: (727) 381-6116 http://WWW.MCLI.COM		SHEET:	N/A
	UNLESS OTHERWISE SPECIFIED: TOLERANCES IN (INCHES) OR [mm] (MILLIMETERS) FRACTIONS: ± 1/64 DECIMALS: ±.01 ±.005 ANGLE: ±1/2°		DRAWING TITLE:	8-WAY POWER DIVIDER
PROPRIETARY NOTICE: THE INFORMATION IN THIS DRAWING IS PROPRIETARY AND SHALL NOT BE USED OR DISCLOSED WITHOUT WRITTEN PERMISSION FROM MICROWAVE COMMUNICATIONS LABORATORIES INC. (MCLI)		PART NO.	PS8-19	
CAGE CODE:	SIZE:	REV:	DWG NO.	
OD2L5	A	N/A	80255	
DO NOT SCALE THE DRAWING				

