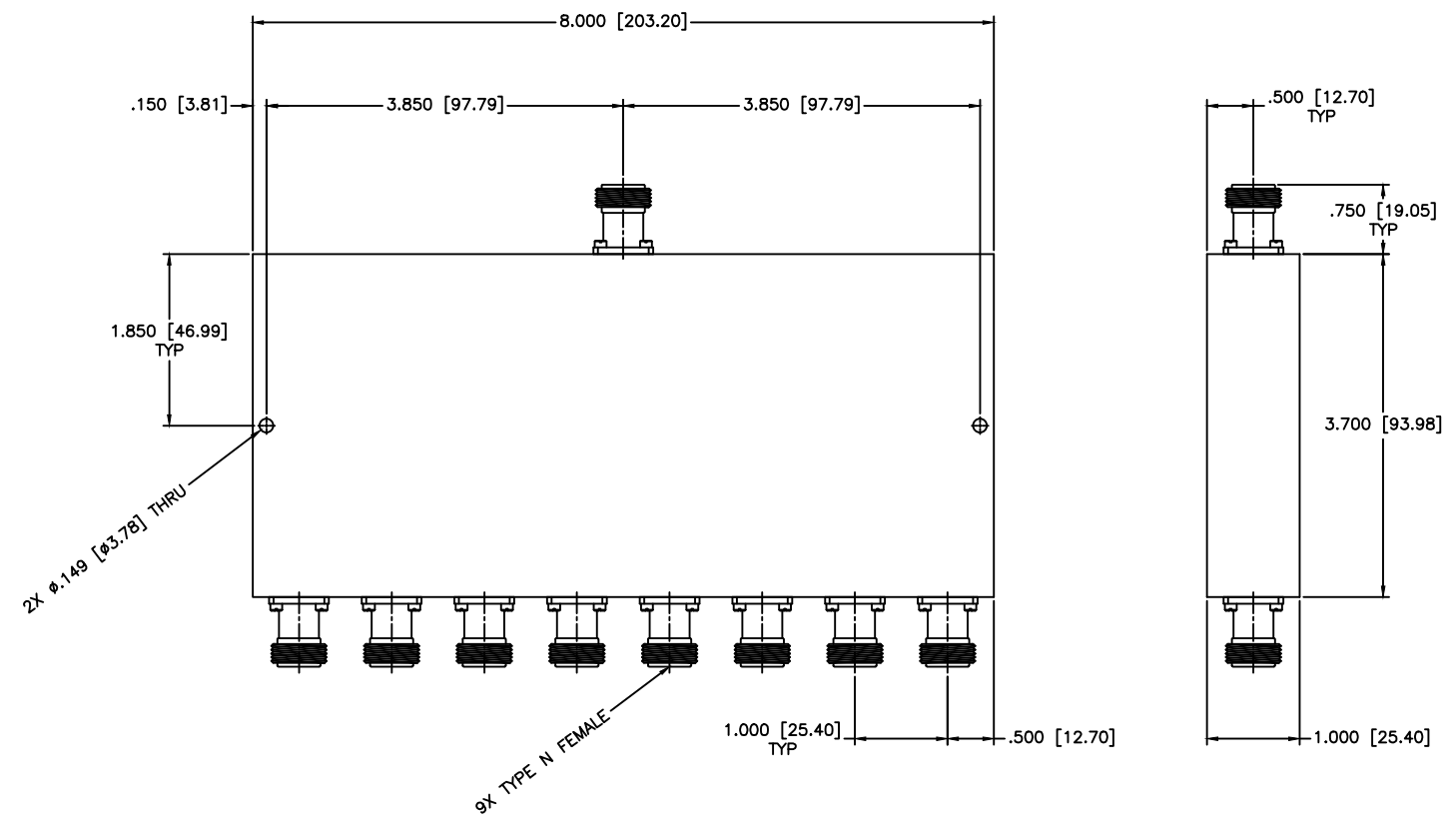


4 | 3 | 2 | 1

REVISIONS				
ZONE	REV	DESCRIPTION	DATE	APPROVED



SPECIFICATIONS

Frequency Range: 2–14 GHz
 Input VSWR: 1.85:1/1.75:1 Max.
 Insertion Loss: 3.4dB Max.
 Isolation: 14dB Min.
 Phase Balance: ±14 Deg. Max.
 Amplitude Balance: ±0.8dB Max.
 Power Rating: 20W (Load vswr @ 1.2)
 Operating Temperature: -55°C to +85°C

MATERIAL:	
DRAWN: Paiboon Luekhamhan	DATE: 11-03-1997
APPROVED: T. Nguyen	DATE: 11-03-1997

MCLI MICROWAVE COMMUNICATIONS LABORATORIES INC.
 7255 30TH AVE. N. SAINT PETERSBURG, FL 33710
 TEL: (727) 344-6254 FAX: (727) 381-6116
 http://www.MCLI.COM

UNLESS OTHERWISE SPECIFIED:
 TOLERANCES
 IN (INCHES) OR [mm] (MILLIMETERS)
 FRACTIONS: ± 1/64
 DECIMALS: ± .01 ± .005
 ANGLE: ± 1/2°

PROPRIETARY NOTICE:
 THE INFORMATION IN THIS DRAWING IS PROPRIETARY
 AND SHALL NOT BE USED OR DISCLOSED WITHOUT WRITTEN
 PERMISSION FROM MICROWAVE COMMUNICATIONS
 LABORATORIES INC. (MCLI)

THIRD ANGLE PROJECTION

SCALE:	N/A
SHEET:	N/A
DRAWING TITLE: 8-WAY POWER DIVIDER	
PART NO. PS8-13/NF	
CAGE CODE: OD2L5	SIZE: C
REV: N/A	DWG NO. 80272
DO NOT SCALE THE DRAWING	

D
C
B
A

D
C
B
A

4 | 3 | 2 | 1