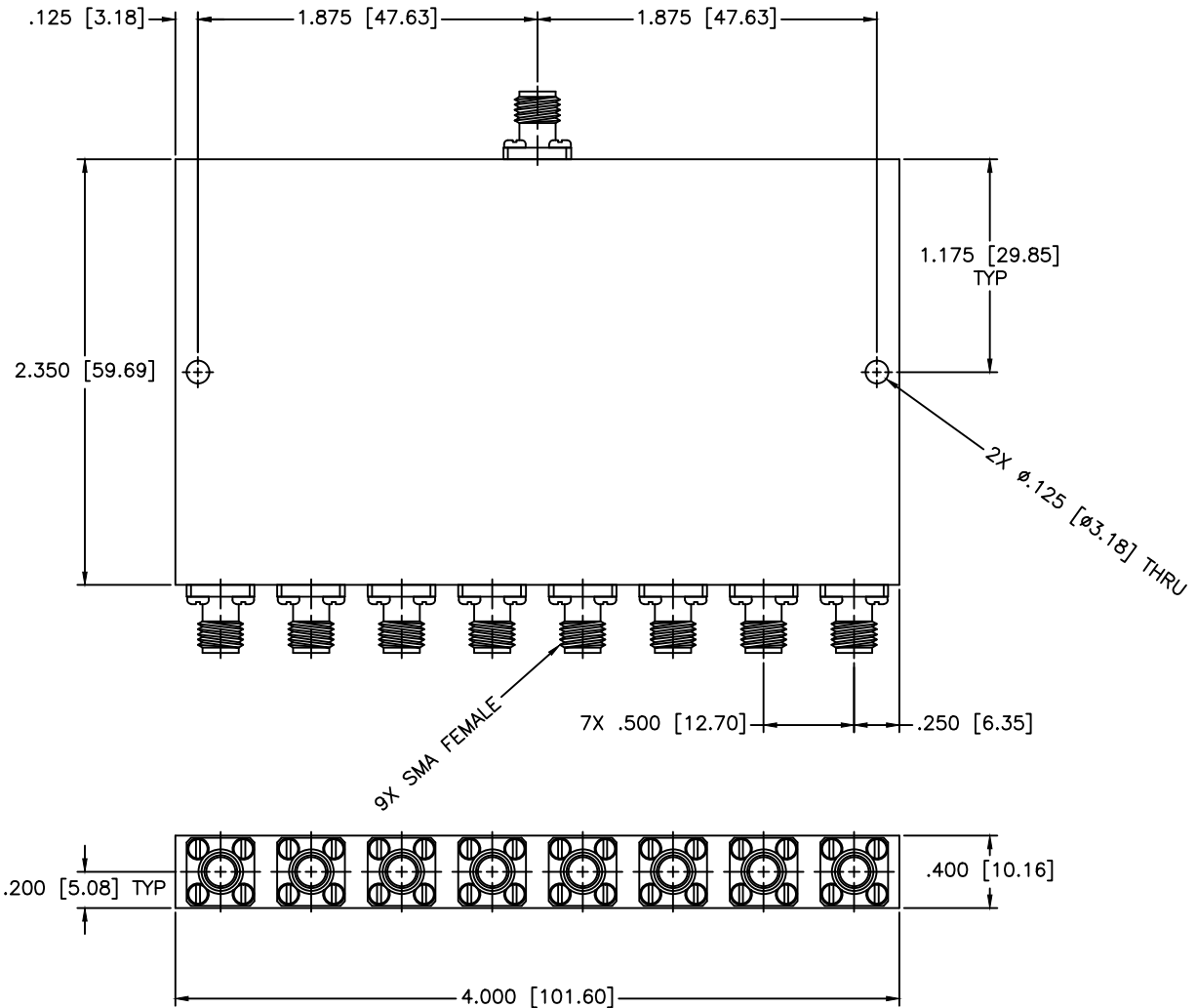


REVISIONS				
ZONE	REV	DESCRIPTION	DATE	APPROVED



SPECIFICATIONS

Frequency Range: 5–10 GHz
 VSWR In/Out: 1.45:1/1.35:1 Max.
 Insertion Loss: 1.4dB Max.
 Isolation: 18dB Min.
 Phase Balance: ± 8 Deg. Max.
 Amplitude Balance: ± 0.4 dB Max.
 Power Rating: 30W (Load vswr @ 1.2)

MATERIAL:		MICROWAVE COMMUNICATIONS LABORATORIES INC. 7255 30TH AVE. N. SAINT PETERSBURG, FL 33710 TEL: (727) 344-6254 FAX: (727) 381-6116 http://WWW.MCLI.COM	SCALE:	N/A
			SHEET:	N/A
UNLESS OTHERWISE SPECIFIED: TOLERANCES IN (INCHES) OR [mm] (MILLIMETERS) FRACTIONS: $\pm 1/64$ DECIMALS: $\pm .02 \pm .015$ ANGLE: $\pm 1/2^\circ$		DRAWING TITLE: 8-WAY POWER DIVIDER		
DRAWN: Paiboon Luexhamhan		PART NO. PS8-102		
DATE: 05-01-2013	DATE: 05-01-2013	CAGE CODE: OD2L5		
APPROVED: T. Nguyen	DATE: 05-01-2013	SIZE: A	REV: A	DWG NO. 81032
PROPRIETARY NOTICE: THE INFORMATION IN THIS DRAWING IS PROPRIETARY AND SHALL NOT BE USED OR DISCLOSED WITHOUT WRITTEN PERMISSION FROM MICROWAVE COMMUNICATIONS LABORATORIES INC. (MCLI)		THIRD ANGLE PROJECTION 		
		DO NOT SCALE THE DRAWING		