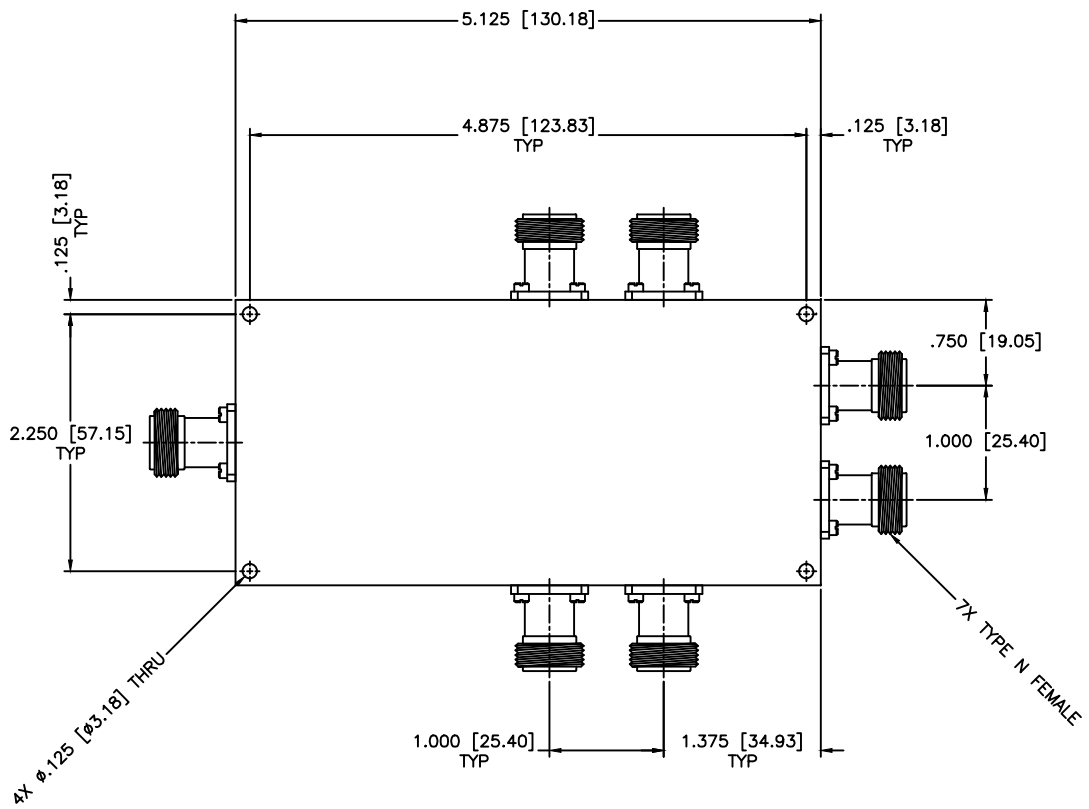
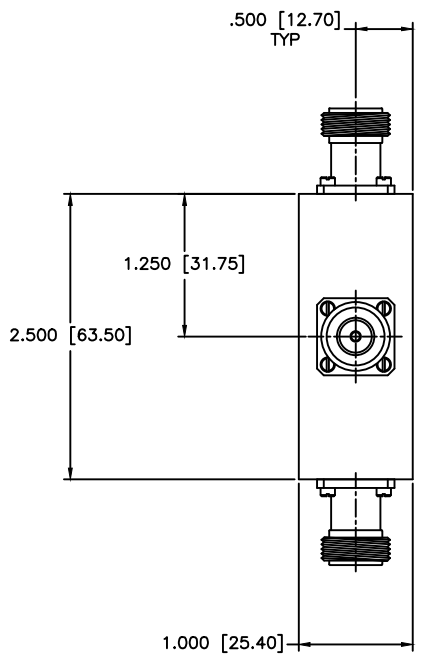


REVISIONS				
ZONE	REV	DESCRIPTION	DATE	APPROVED



SPECIFICATIONS

Frequency Range: 0.5–2.5 GHz
 Insertion Loss: 2.5dB Max.
 Isolation: 15dB Min.
 VSWR In/Out: 1.75:1/1.70:1 Max.
 Amplitude Balance: ±1.9dB Max.
 Phase Balance: ±12 Deg.
 Input Power: 20W (Load vswr @ 1.2)

MATERIAL:		 MCLI MICROWAVE COMMUNICATIONS LABORATORIES INC. 7255 30TH AVE. N. SAINT PETERSBURG, FL 33710 TEL: (727) 344-6254 FAX: (727) 381-6116 http://WWW.MCLI.COM	SCALE:	N/A
			SHEET:	N/A
		UNLESS OTHERWISE SPECIFIED: TOLERANCES IN (INCHES) OR [mm] (MILLIMETERS) FRACTIONS: ± 1/64 DECIMALS: ±.01 ±.008 ANGLE: ±1/2°	DRAWING TITLE: 6-WAY POWER DIVIDER	
		PROPERTY NOTICE: THE INFORMATION IN THIS DRAWING IS PROPRIETARY AND SHALL NOT BE USED OR DISCLOSED WITHOUT WRITTEN PERMISSION FROM MICROWAVE COMMUNICATIONS LABORATORIES INC. (MCLI)	PART NO.: PS6-4/NF	
DRAWING: Paiboon Luekhamhan	DATE: 05-17-2012	 THIRD ANGLE PROJECTION	CAGE CODE:	OD2L5
APPROVED: T. Nguyen	DATE: 05-17-2012		SIZE:	N/A
		REV:	A	DWG NO.:
		DO NOT SCALE THE DRAWING		86098