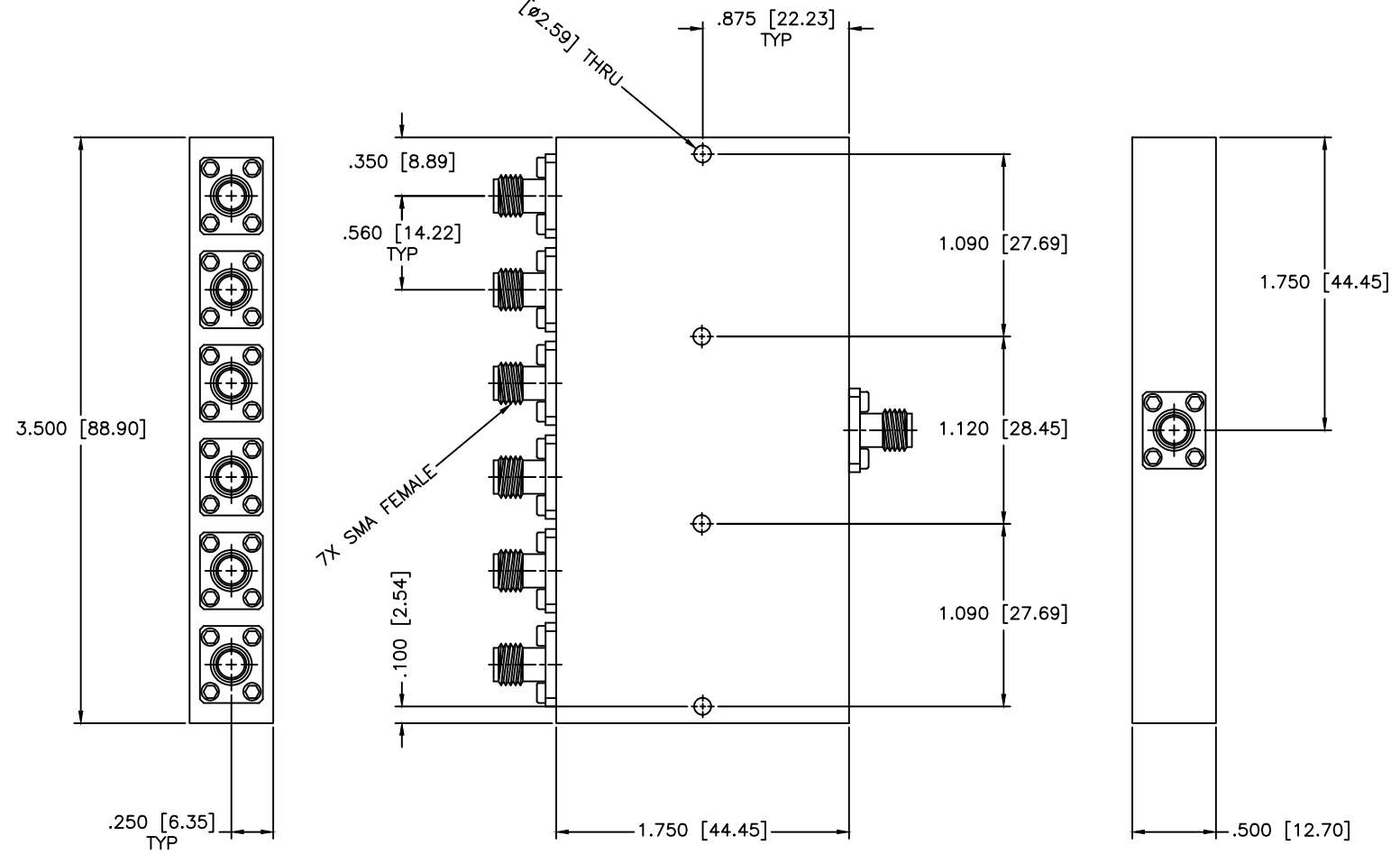


REVISIONS				
ZONE	REV	DESCRIPTION	Date	APPROVED



SPECIFICATIONS

Frequency Range: 10–22 GHz
 Insertion Loss: 2.5dB Max.
 Isolation: 13dB Min.
 Amplitude Balance: ±1.5dB Max.
 VSWR In/Out: 1.75:1/1.70:1 Max.
 Input Power: 10W (Load vswr @ 1.2)

MATERIAL:		MCLI MICROWAVE COMMUNICATIONS LABORATORIES INC. 7255 30TH AVE. N. SAINT PETERSBURG, FL 33710 TEL: (727) 344-6254 FAX: (727) 381-6116 http://WWW.MCLI.COM	SCALE:	N/A
			SHEET:	N/A
		UNLESS OTHERWISE SPECIFIED: TOLERANCES IN (INCHES) OR [mm] (MILLIMETERS) FRACTIONS: ± 1/64 DECIMALS: ±.01 ±.005 ANGLE: ±1/2°	DRAWING TITLE: 6-WAY POWER DIVIDER	
DRAWN: Paiboon Luekhamhan		DATE: 07-09-2007	PART NO. PS6-31	
APPROVED: T. Nguyen		DATE: 07-09-2007	CAGE CODE: OD2L5	SIZE: N/A REV: N/A DWG NO. 82847
		THIRD ANGLE PROJECTION	DO NOT SCALE THE DRAWING	