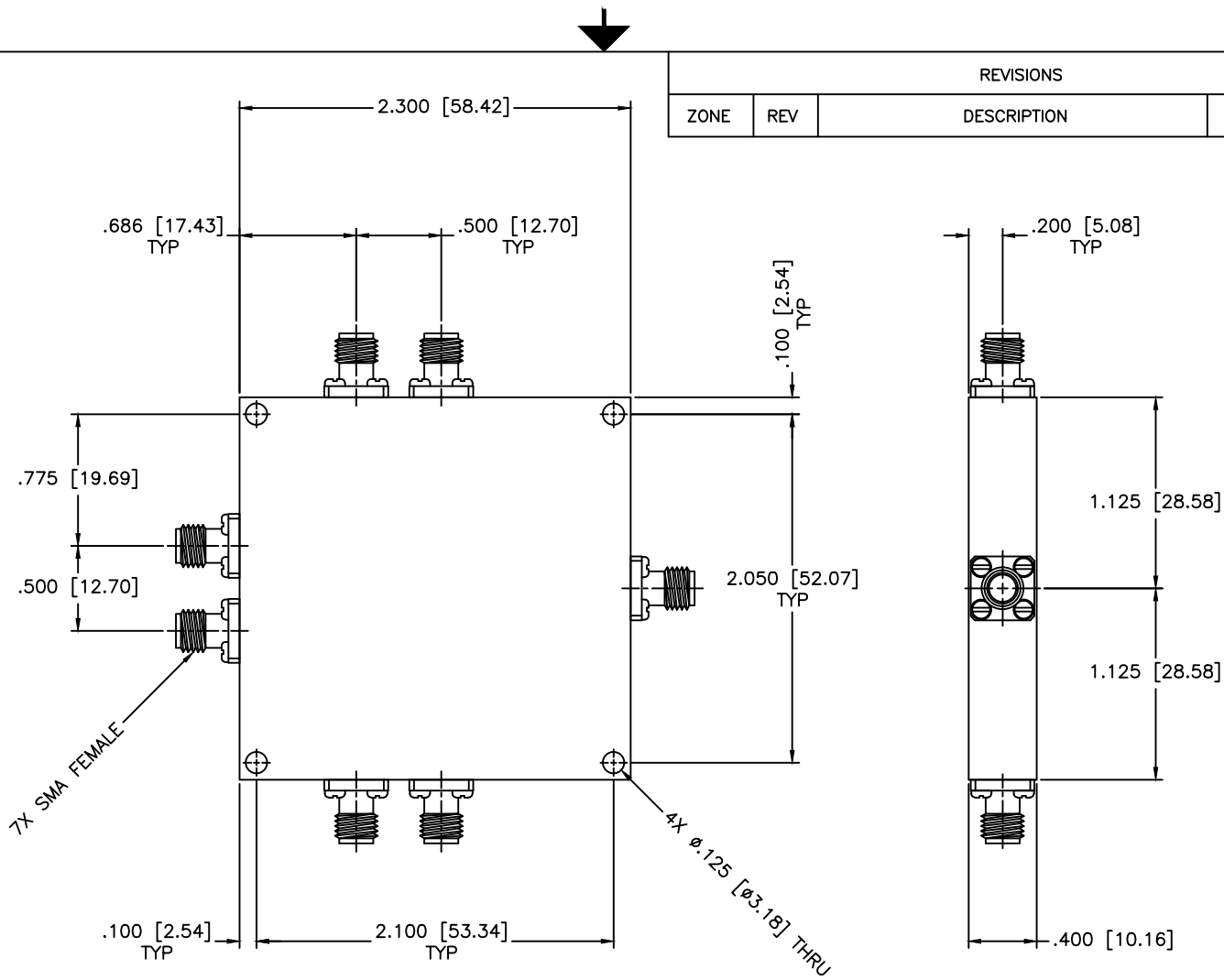


REVISIONS				
ZONE	REV	DESCRIPTION	DATE	APPROVED



SPECIFICATIONS

Frequency Range: 3.6–4.2 GHz
 Insertion Loss: 1.4dB Max.
 Isolation: 16dB Min.
 Phase Balance: ±12 Deg Max.
 Amplitude Balance: ±1.75dB Max.
 VSWR IN/OUT: 1.70:1/1.65:1 Max.
 Input Power: 20W (Load vswr @ 1.2)

MATERIAL:			MICROWAVE COMMUNICATIONS LABORATORIES INC. 7255 30TH AVE. N. SAINT PETERSBURG, FL 33710 TEL: (727) 344-6254 FAX: (727) 381-6116 http://WWW.MCLI.COM		SCALE: N/A
			UNLESS OTHERWISE SPECIFIED: TOLERANCES IN (INCHES) OR (mm) (MILLIMETERS) FRACTIONS: ± 1/64 DECIMALS: ±.01 ±.005 ANGLE: ±1/2°		SHEET: N/A
DRAWING TITLE:		6-WAY POWER DIVIDER			
DRAWN: Paiboon Luekhamhan		PART NO. PS6-19T			
DATE: 01-25-2008		DRAWING TITLE: PS6-19T			
APPROVED: T. Nguyen		DATE: 01-25-2008		CAGE CODE: OD2L5	
		PROPRIETARY NOTE: THE INFORMATION IN THIS DRAWING IS PROPRIETARY AND SHALL NOT BE USED OR DISCLOSED WITHOUT WRITTEN PERMISSION FROM MICROWAVE COMMUNICATIONS LABORATORIES INC. (MCLI)		SIZE: N/A REV: N/A DWG. NO. 83046 DO NOT SCALE THE DRAWING	
		THIRD ANGLE PROJECTION 			