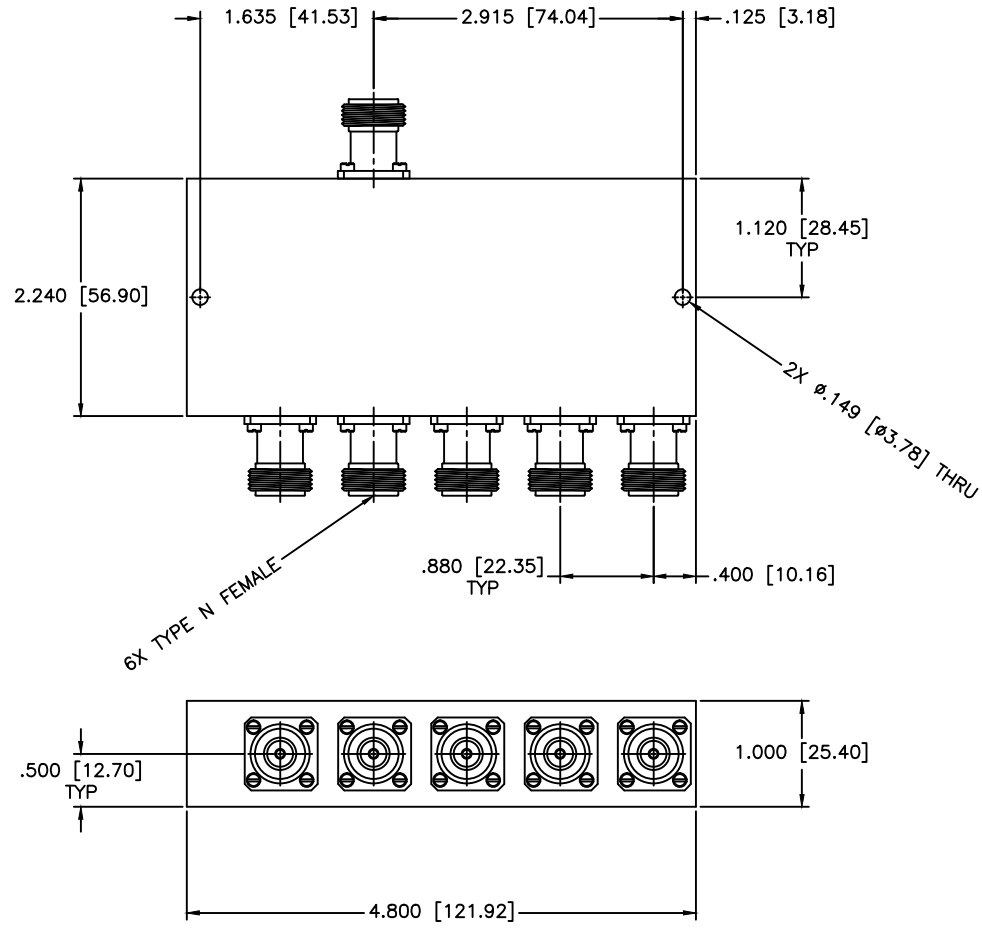


REVISIONS				
ZONE	REV	DESCRIPTION	DATE	APPROVED



**SPECIFICATIONS**

Frequency Range: 2–6 GHz  
 Insertion Loss: 2.5dB Max.  
 Isolation: 15dB Min.  
 VSWR: 2.00:1 Max.  
 Amplitude Balance: ±1.5dB Max.  
 Input Power: 10 Watts (Load vswr @ 1.2)

MATERIAL:		 <b>MCLI</b> MICROWAVE COMMUNICATIONS LABORATORIES INC. 7255 30TH AVE. N. SAINT PETERSBURG, FL 33710 TEL: (727) 344-6254 FAX: (727) 381-6116 http://www.MCLI.COM	SCALE:	N/A
			SHEET:	N/A
		DRAWING TITLE:	5-WAY POWER DIVIDER	
		PART NO.:	PS5-39/NF	
DRAWING:	DATE:	<small>PROPRIETARY NOTICE:          THE INFORMATION IN THIS DRAWING IS PROPRIETARY          AND SHALL NOT BE USED OR DISCLOSED WITHOUT WRITTEN          PERMISSION FROM MICROWAVE COMMUNICATIONS          LABORATORIES INC. (MCLI)</small>	CAGE CODE:	SIZE:
APPROVED:	DATE:		OD2L5	N/A
Pai boon Luekhamhan	10-04-2013	 THIRD ANGLE PROJECTION	DO NOT SCALE THE DRAWING	DWG NO.:
T. Nguyen	10-04-2013		86393	