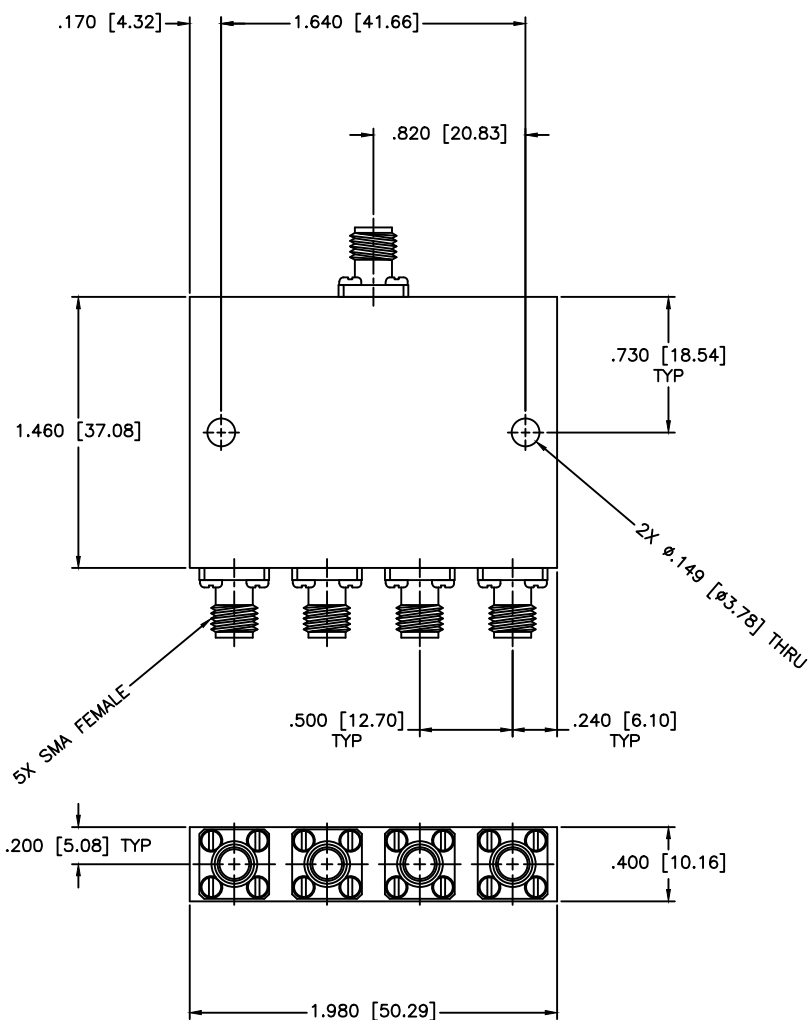


REVISIONS				
ZONE	REV	DESCRIPTION	DATE	APPROVED



SPECIFICATIONS

Frequency Range: 8–12.4 GHz
 VSWR In/Out: 1.45:1/1.35:1 Max.
 Insertion Loss: 0.8dB Max.
 Isolation: 18dB Min.
 Amplitude Balance: ± 0.4 dB Max.
 Phase Balance: ± 6 Deg. Max.
 Power Rating: 30W (vswr@1.2)
 Operating Temperature: -55°C to $+85^{\circ}\text{C}$

MATERIAL:		MICROWAVE COMMUNICATIONS LABORATORIES INC. 7255 30TH AVE. N. SAINT PETERSBURG, FL 33710 TEL: (727) 344-6254 FAX: (727) 381-6116 http://WWW.MCLI.COM		SCALE:	N/A
				SHEET:	N/A
		UNLESS OTHERWISE SPECIFIED: TOLERANCES IN (INCHES) OR [mm] (MILLIMETERS) FRACTIONS: $\pm 1/64$ DECIMALS: $\pm 0.02 \pm 0.08$ ANGLE: $\pm 1/2^{\circ}$		DRAWING TITLE: 4-WAY POWER DIVIDER	
		PROPRIETARY NOTICE: THE INFORMATION IN THIS DRAWING IS PROPRIETARY AND SHALL NOT BE USED OR DISCLOSED WITHOUT WRITTEN PERMISSION FROM MICROWAVE COMMUNICATIONS LABORATORIES INC. (MCLI)		PART NO. PS4-8	
DRAWN: Paiboon Luekhamhan	DATE: 06-15-1999	THIRD ANGLE PROJECTION		CAGE CODE: OD2L5	SIZE: A
APPROVED: T. Nguyen	DATE: 06-15-1999			REV: N/A	DWG NO. 80181
				DO NOT SCALE THE DRAWING	