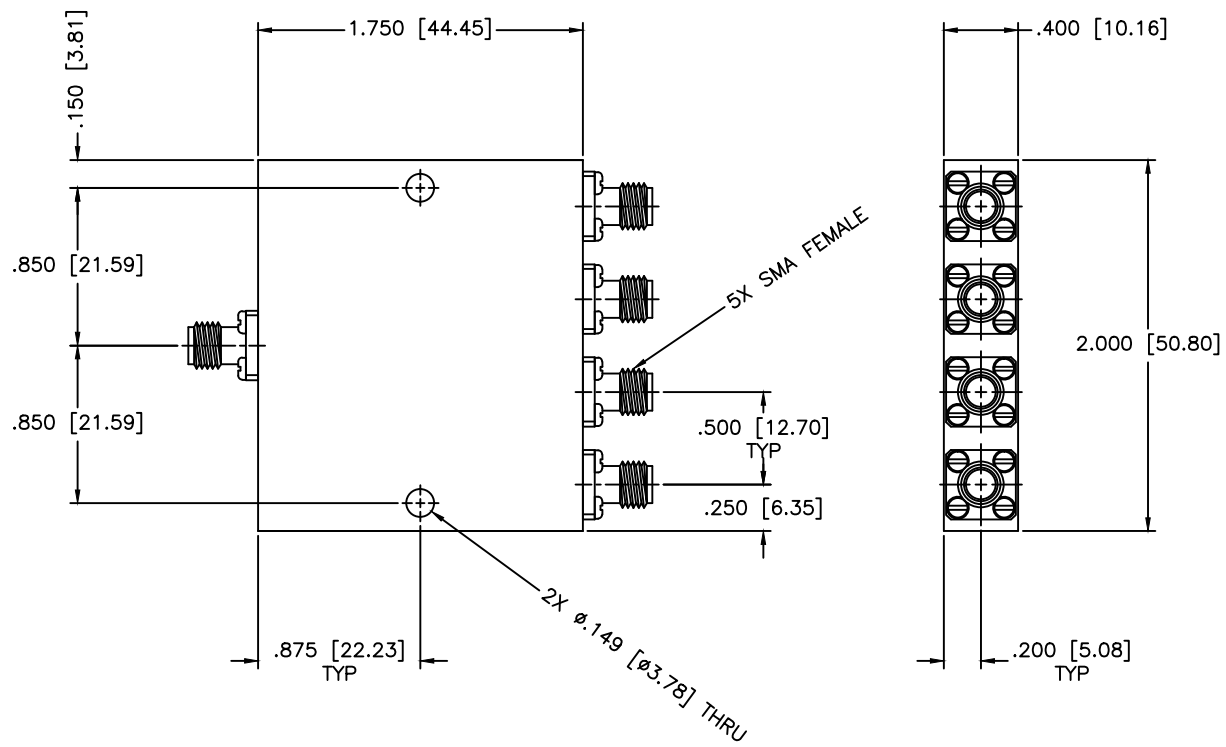


REVISIONS				
ZONE	REV	DESCRIPTION	DATE	APPROVED



**SPECIFICATIONS**

Frequency Range: 3.4–4.2 GHz  
 VSWR In/Out: 1.20:1/1.15:1 Max.  
 Amplitude Balance: ±0.3dB Max.  
 Phase Balance: ±3 Deg. Max.  
 Insertion Loss: 0.7dB Max.  
 Isolation: 22dB Min.  
 Power Rating: 30W (VSWR @ 1.2)

MATERIAL:		MICROWAVE COMMUNICATIONS LABORATORIES INC. 7255 30TH AVE. N. SAINT PETERSBURG, FL 33710 TEL: (727) 344-6254 FAX: (727) 381-6116 http://WWW.MCLI.COM		SCALE: N/A	
UNLESS OTHERWISE SPECIFIED: TOLERANCES IN (INCHES) OR [mm] (MILLIMETERS) FRACTIONS: ± 1/64 DECIMALS: ±.01 ±.005 ANGLE: ±1/2°				DRAWING TITLE: <b>4-WAY POWER DIVIDER</b>	
DRAWN: Paiboon Luekhamhan		DATE: 08-19-2011		PART NO. PS4-72	
APPROVED: T. Nguyen		DATE: 08-19-2011		DWG NO. 80834	
PROPRIETARY NOTICE: THE INFORMATION IN THIS DRAWING IS PROPRIETARY AND SHALL NOT BE USED OR DISCLOSED WITHOUT WRITTEN PERMISSION FROM MICROWAVE COMMUNICATIONS LABORATORIES INC. (MCLI)		CAGE CODE: OD2L5		SIZE: A    REV: A    DO NOT SCALE THE DRAWING	