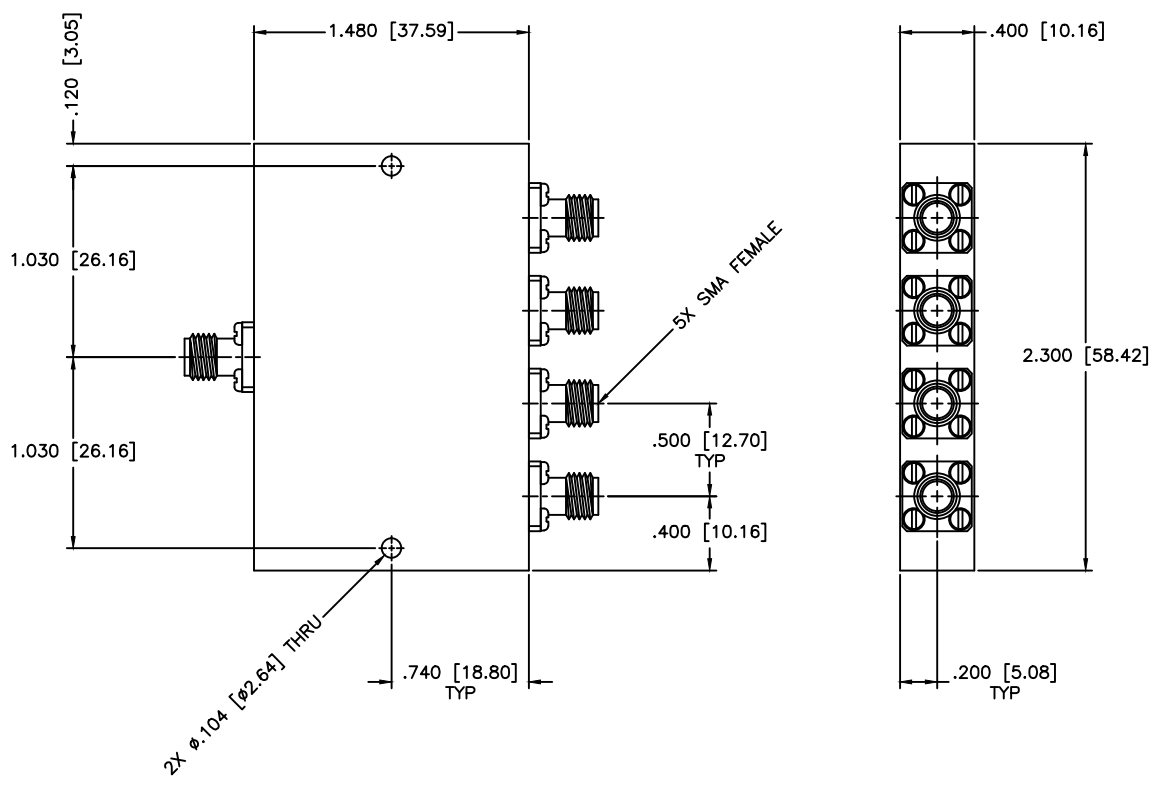


REVISIONS				
ZONE	REV	DESCRIPTION	DATE	APPROVED



SPECIFICATIONS

Frequency Range: 0.95–1.50 GHz
 Isolation: 18dB Min.
 Insertion Loss: 0.9dB Max.
 Amplitude Balance: ±0.3dB Max.
 Phase Balance: ±5 Deg. Max.
 Power: 30W Avg.
 VSWR In/Out: 1.40:1/1.25:1 Max.

MATERIAL:			MICROWAVE COMMUNICATIONS LABORATORIES INC. 7255 30TH AVE. N. SAINT PETERSBURG, FL 33710 TEL: (727) 344-6254 FAX: (727) 381-6116 http://WWW.MCLI.COM		SCALE: N/A
UNLESS OTHERWISE SPECIFIED: TOLERANCES IN (INCHES) OR [mm] (MILLIMETERS) FRACTIONS: ± 1/64 DECIMALS: ±.01 ±.005 ANGLE: ±1/2°			DRAWING TITLE: 4-WAY POWER DIVIDER		SHEET: N/A
DRAWN: Paiboon Luekhamhan		DATE: 06-21-1999		PART NO. PS4-68	
APPROVED: Thien Nguyen		DATE: 06-21-1999		CAGE CODE: OD2L5	SIZE: A REV: B DWG NO.: 81319 DO NOT SCALE THE DRAWING

PROPRIETARY NOTICE:
 THE INFORMATION IN THIS DRAWING IS PROPRIETARY
 AND SHALL NOT BE USED OR DISCLOSED WITHOUT WRITTEN
 PERMISSION FROM MICROWAVE COMMUNICATIONS
 LABORATORIES INC. (MCLI)
 THIRD ANGLE PROJECTION