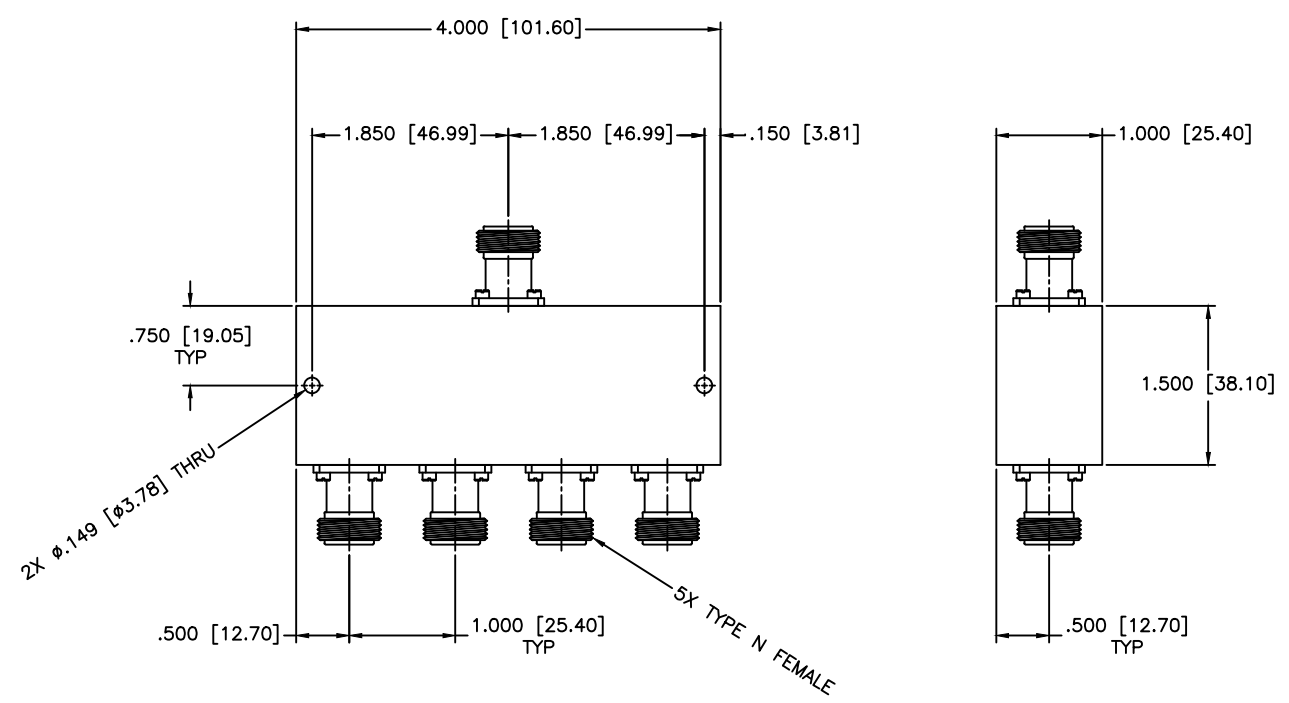


REVISIONS				
ZONE	REV	DESCRIPTION	DATE	APPROVED



SPECIFICATIONS

Frequency Range: 3.4–4.2 GHz
 Insertion Loss: 0.6dB Max.
 Isolation: 19dB Min.
 Power: 30W (Load vswr@1.2)
 Amplitude Balance: ±0.3dB Max.
 VSWR IN/OUT: 1.35:1/1.30:1 Max.
 Phase Balance: ±4 Deg. Max.

MATERIAL:		 MICROWAVE COMMUNICATIONS LABORATORIES INC. 7255 30TH AVE. N. SAINT PETERSBURG, FL 33710 TEL: (727) 344-6254 FAX: (727) 381-6116 http://WWW.MCLI.COM	SCALE:	N/A			
			SHEET:	N/A			
		UNLESS OTHERWISE SPECIFIED: TOLERANCES IN (INCHES) OR [mm] (MILLIMETERS) FRACTIONS: ± 1/64 DECIMALS: ±.01 ±.005 ANGLE: ±1/2°	DRAWING TITLE: 4-WAY POWER DIVIDER				
		PROPERTY NOTICE: THE INFORMATION IN THIS DRAWING IS PROPRIETARY AND SHALL NOT BE USED OR DISCLOSED WITHOUT WRITTEN PERMISSION FROM MICROWAVE COMMUNICATIONS LABORATORIES INC. (MCLI)	PART NO. PS4-57/NF				
DRAWN: Paiboon Luekhamhan	DATE: 08-10-1999	 THIRD ANGLE PROJECTION	CAGE CODE:	OD2L5			
APPROVED: T. Nguyen	DATE: 08-10-1999		SIZE:	C	REV:	N/A	DWG NO.:
				DO NOT SCALE THE DRAWING			