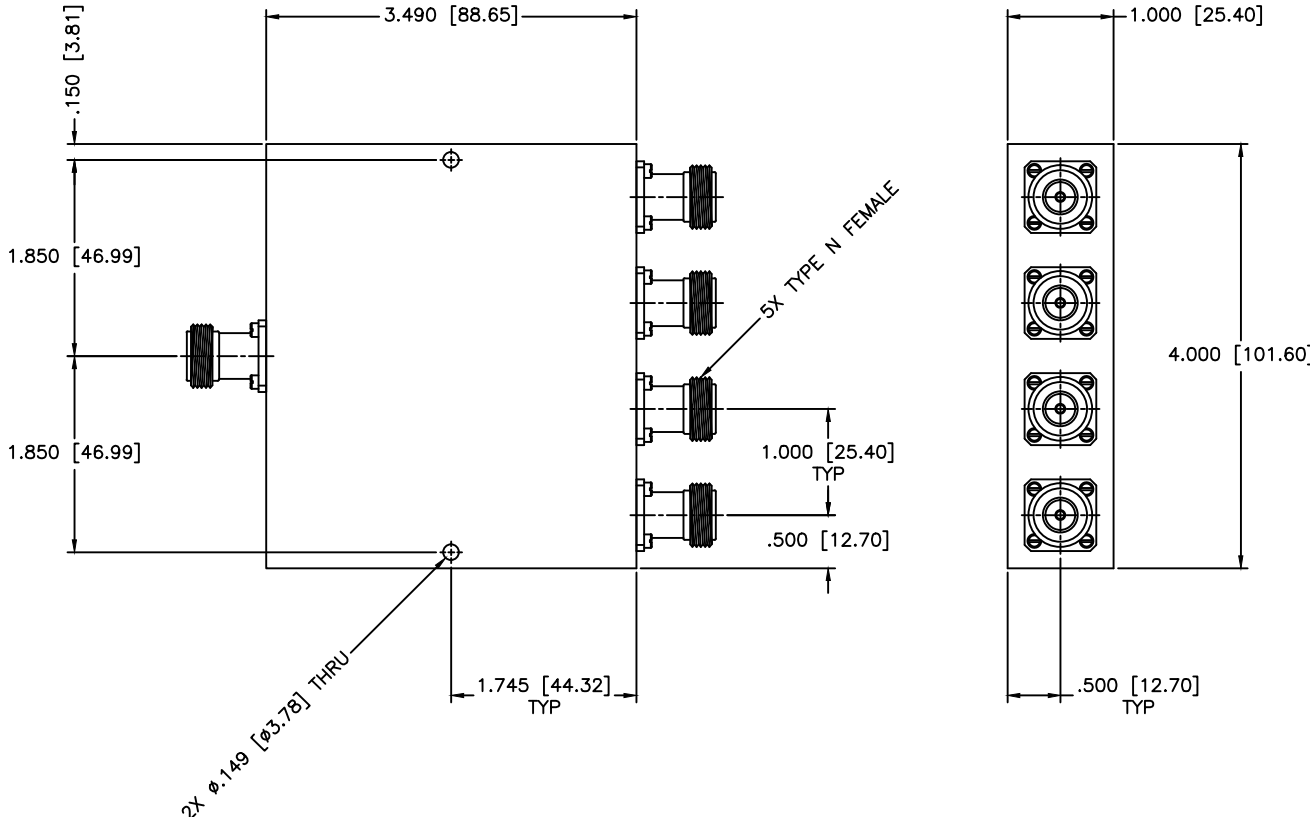


| REVISIONS | | | | |
|-----------|-----|-------------|------|----------|
| ZONE | REV | DESCRIPTION | DATE | APPROVED |
| | | | | |



SPECIFICATIONS

Frequency Range: 0.5–2.5 GHz
 Insertion Loss: 0.7dB Max.
 Isolation: 19dB Min.
 VSWR In/Out: 1.40:1/1.25:1 Max.
 Phase Balance: ±5 Deg. Max.
 Amplitude Balance: ±0.5dB Max.
 Power: 30W (Load vswr@1.2)

| | | | | |
|--------------------|------------|---|--|---------|
| MATERIAL: | | MCLI MICROWAVE COMMUNICATIONS LABORATORIES INC. 7255 30TH AVE. N. SAINT PETERSBURG, FL 33710 TEL: (727) 344-6254 FAX: (727) 381-6116 http://www.mcli.com | SCALE: | N/A |
| | | | SHEET: | N/A |
| | | UNLESS OTHERWISE SPECIFIED: TOLERANCES IN (INCHES) OR [mm] (MILLIMETERS) FRACTIONS: ± 1/64 DECIMALS: ±.01 ±.005 ANGLE: ±1/2° | DRAWING TITLE: 4-WAY POWER DIVIDER | |
| | | PROPRIETARY NOTICE: THE INFORMATION IN THIS DRAWING IS PROPRIETARY AND SHALL NOT BE USED OR DISCLOSED WITHOUT WRITTEN PERMISSION FROM MICROWAVE COMMUNICATIONS LABORATORIES INC. (MCLI) | PART NO.: PS4-4/NF | |
| DRAWN: | DATE: | THIRD ANGLE PROJECTION | CAGE CODE: | SIZE: |
| Paiboon Luekhamhan | 10-26-1997 | | OD2L5 | N/A |
| APPROVED: | DATE: | | REV: | DWG NO. |
| T. Nguyen | 10-26-1997 | | N/A | 80195 |
| | | | DO NOT SCALE THE DRAWING | |