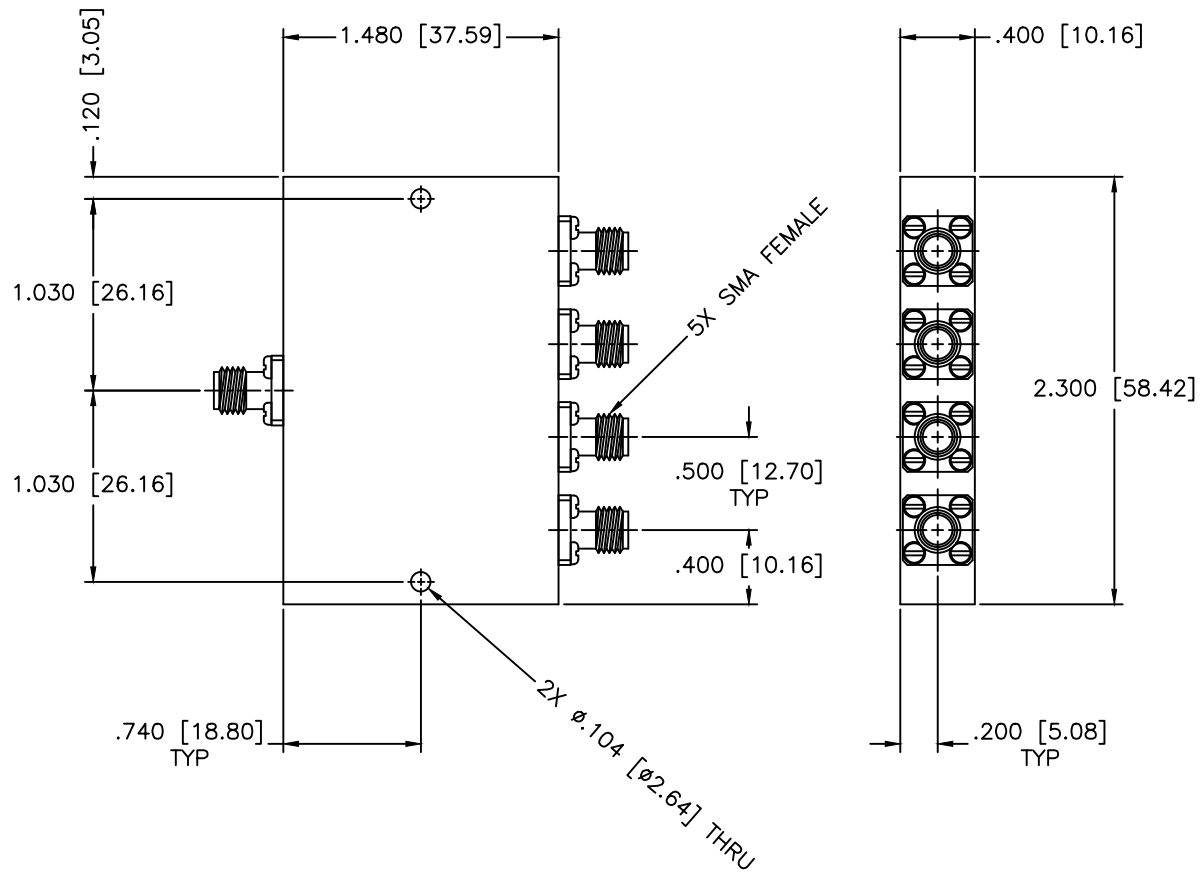


REVISIONS				
ZONE	REV	DESCRIPTION	Date	APPROVED



SPECIFICATIONS

Frequency Range: 2.5–2.7 GHz
 VSWR In/Out: 1.40:1/1.30:1 Max.
 Amplitude Balance: ±0.4dB Max.
 Phase Balance: ±5 Deg. Max.
 Insertion Loss: 1.8dB Max.
 Isolation: 18dB Min.
 Power Rating: 30W (VSWR @ 1.2)

MATERIAL:	
DRAWN: Paiboon Luekhamhan	DATE: 06-21-1999
APPROVED: T. Nguyen	DATE: 06-21-1999



MICROWAVE COMMUNICATIONS LABORATORIES INC.
 7255 30TH AVE. N. SAINT PETERSBURG, FL 33710
 TEL: (727) 344-6254 FAX: (727) 381-6116
 http://WWW.MCLI.COM

SCALE:	N/A
SHEET:	N/A

UNLESS OTHERWISE SPECIFIED:
 TOLERANCES
 IN (INCHES) OR [mm] (MILLIMETERS)
 FRACTIONS: ± 1/64
 DECIMALS: ±.01 ±.005
 ANGLE: ±1/2°

DRAWING TITLE: 4-WAY POWER DIVIDER			
PART NO. PS4-49			
CAGE CODE: OD2L5	SIZE: A	REV: N/A	DWG. NO. 80935
DO NOT SCALE THE DRAWING			

PROPRIETARY NOTICE:
 THE INFORMATION IN THIS DRAWING IS PROPRIETARY
 AND SHALL NOT BE USED OR DISCLOSED WITHOUT WRITTEN
 PERMISSION FROM MICROWAVE COMMUNICATIONS
 LABORATORIES INC. (MCLI)
 THIRD ANGLE PROJECTION