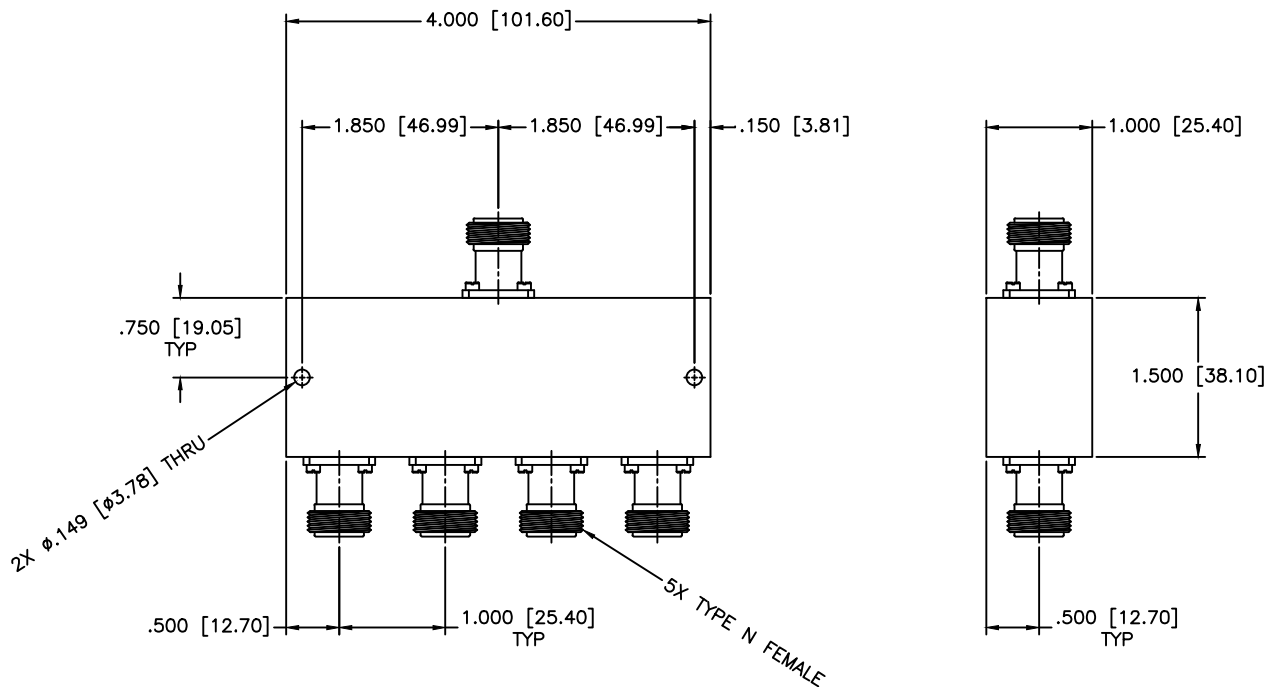


REVISIONS				
ZONE	REV	DESCRIPTION	DATE	APPROVED



SPECIFICATIONS

Frequency Range: 3.625–4.25 GHz
 Insertion Loss: 0.6dB Max.
 Isolation: 19dB Min.
 VSWR In/Out: 1.35:1/1.30:1 Max.
 Phase Balance: ±4 Deg. Max.
 Amplitude Balance: ±0.3dB Max.
 Power: 30W (Load vswr@1.2)

MATERIAL:			MICROWAVE COMMUNICATIONS LABORATORIES INC. 7255 30TH AVE. N. SAINT PETERSBURG, FL 33710 TEL: (727) 344-6254 FAX: (727) 381-6116 http://WWW.MCLI.COM		SCALE: N/A
UNLESS OTHERWISE SPECIFIED: TOLERANCES IN (INCHES) OR [mm] (MILLIMETERS) FRACTIONS: ± 1/64 DECIMALS: ±.01 ±.005 ANGLE: ±1/2°			DRAWING TITLE: 4-WAY POWER DIVIDER		SHEET: N/A
DRAWN: Paiboon Luethamhan	DATE: 08-10-1999	PART NO.: PS4-19/NF		CAGE CODE: OD2L5	
APPROVED: T. Nguyen	DATE: 08-10-1999	PROPERTY NOTICE: THE INFORMATION IN THIS DRAWING IS PROPRIETARY AND SHALL NOT BE USED OR DISCLOSED WITHOUT WRITTEN PERMISSION FROM MICROWAVE COMMUNICATIONS LABORATORIES INC. (MCLI)		SIZE: N/A	REV: N/A
THIRD ANGLE PROJECTION		DO NOT SCALE THE DRAWING		DWG NO.: 80204	