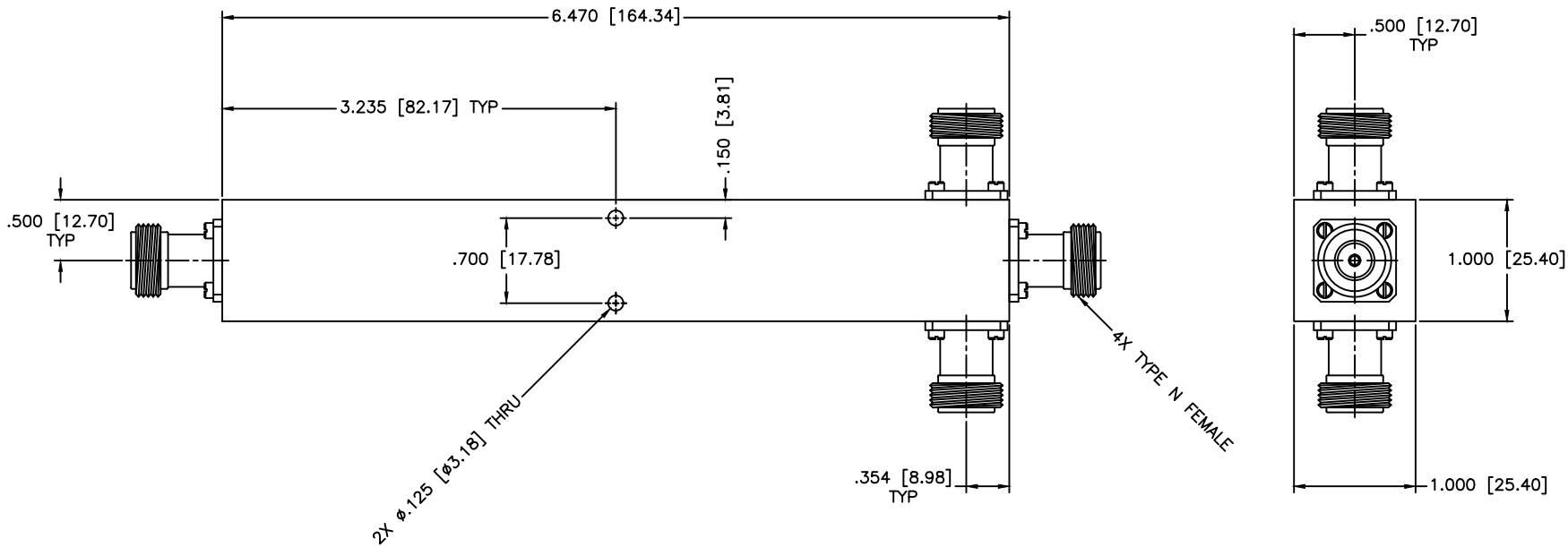


REVISIONS				
ZONE	REV	DESCRIPTION	Date	APPROVED



SPECIFICATIONS

Frequency Range: 1–2 GHz
 Insertion Loss: 0.6dB Max.
 Isolation: 17dB Min.
 VSWR Input/Output: 1.45:1/1.40:1 Max.
 Phase Balance: ±8 Deg. Max.
 Amplitude Balance: 0.5dB Max.
 Power: 20W (Load vswr@1.2)

MATERIAL:		MCLI MICROWAVE COMMUNICATIONS LABORATORIES INC. 7255 30TH AVE. N. SAINT PETERSBURG, FL 33710 TEL: (727) 344-6254 FAX: (727) 381-6116 http://WWW.MCLI.COM	SCALE:	N/A
			SHEET:	N/A
UNLESS OTHERWISE SPECIFIED: TOLERANCES IN (INCHES) OR [mm] (MILLIMETERS) FRACTIONS: ± 1/64 DECIMALS: ±.01 ±.005 ANGLE: ±1/2°		DRAWING TITLE: 3-WAY POWER DIVIDER		
DRAWN: Paiboon Luekhamhan		PART NO. PS3-9/NF		
DATE: 06-29-1999	DATE: 06-29-1999	CAGE CODE: OD2L5	SIZE: N/A	REV: N/A
APPROVED: T. Nguyen		DWG NO. 81194		
THIRD ANGLE PROJECTION		DO NOT SCALE THE DRAWING		